



TB395W

WHEELED EXCAVATOR



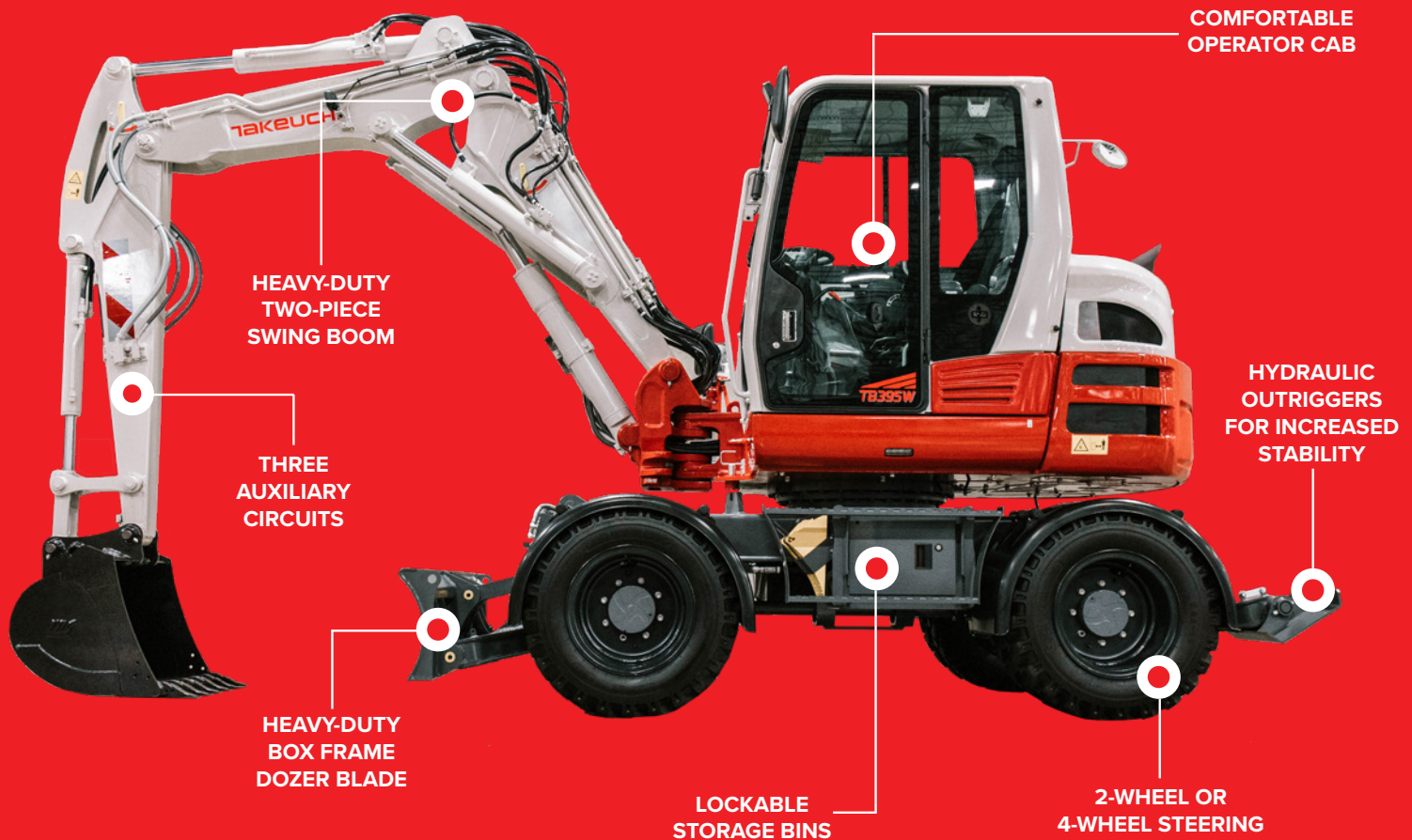
TAKEUCHI

Operating Weight ■ 23,424 lb
Dig Depth ■ 13 ft 5.2 in
Max Reach ■ 25 ft 2.1 in

TAKEUCHI
From World First to World Leader

TOUGH. POWERFUL. RELIABLE.

The TB395W, weighing 23,424 lbs. with a 114-horsepower engine, combines powerful excavating capabilities with a maximum dig depth of 13 ft 5.2 in and superior on-road performance, with speeds up to 18 mph. The standard two-piece, heavy-duty swing boom enables operators to dig further away from the machine and also allows for closer digging when needed, while the hydraulic outriggers and a dozer blade greatly enhance the machine's stability. The TB395W is equipped with three auxiliary circuits catering to different hydraulic requirements. The primary circuit delivers an impressive 32 gpm, while the secondary circuit provides 14.5 gpm. The third auxiliary circuit is specifically designed for use with a hydraulic quick coupler. The TB395W features two different steering options: 2-wheel steer and 4-wheel/crab steer, allowing for precise maneuverability in various work environments. The interior includes an 8" color touch screen display with jog dial for easy access to essential machine information and controls. The 270-degree camera system gives operators greater peace of mind by providing an unmatched field of view around the rear and sides of the machine. The TB395W is the perfect blend of performance, durability, serviceability, and operator comfort, ensuring top-notch performance on the job site.



PRODUCT FEATURES & SPECIFICATIONS


ENGINE

- EU Stage V / EPA Tier 4 Compliant
- DOC+DPF+SCR Exhaust After Treatment
- Automatic Fuel-Bleed System
- Double-Element Air Cleaner
- Automatic Deceleration
- Working Modes: Standard and ECO
- Engine Safety Start System on Left Console
- Engine Auto Stop
- Hydraulic Fan Drive for Radiator

UNDERCARRIAGE AND FRAME

- 2-Wheel Steering (2WS)
- 4-Wheel Steering (4WS): All-Wheel Steering and Crab Steering (optional)
- Auto Cruise Control
- Heavy-Duty Dozer Blade
- Hydraulic Outriggers
- Large Wraparound Counterweight
- Check Valve, Dozer Blade
- Front Axle Hub Brake
- Parking Brake
- Ram Lock
- 100%-Locking Differential
- Dual-Side Tool Box
- Mud Guards

ELECTRICAL

- 8" Color Touchscreen Display
- Multi-Switch Control Panel & Jog Dial Control
- E/H Control for Dozer Blade, Boom Swing and Dual Boom Cylinder Adjustment
- LED Light Package; Right Cover, Boom, Front Cab, and Rear Cab
- LED Head Lights, Turn Signals and Tail Lamps
- LED Additional Boom Light
- LED Arm Position Lamp
- Travel Alarm
- Rear-View Camera
- 270°-View Monitor 



HYDRAULIC

- Load-Sensing Hydraulic System
- Hydraulic Joystick Controls
- Proportional Control for Primary and Secondary Auxiliary Flow
- Detent for Primary Auxiliary Flow
- Third Auxiliary for Quick Hitch
- Auxiliary Hydraulic Circuit Plumbed to Arm
- Adjustable Auxiliary Flow for Service Port 1, 2,
- Auto Tank for Primary Auxiliary Flow
- Service Port Performance Package; Auto Pressure Release for SP1 & SP2, pressure Adjustment for SP1 & SP2, and High Pressure for SP1 (optional)

WORKING EQUIPMENT

- 2-Piece Variable Angle Boom
- Cushioned Boom, Arm, and Swing Cylinders
- Boom Swing Stopper
- Boom-Holding Valve w/ Lift Alarm
- Arm-Holding Valve
- Two-Piece, Boom-Adjust Holding Valve

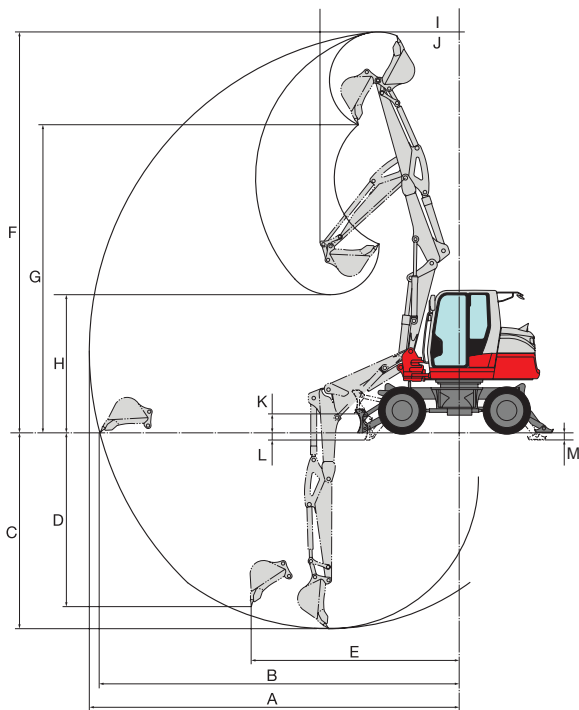
TAKEUCHI FLEET MANAGEMENT

- Downtime Reduction
- Remote Diagnostics
- Utilization Tracking
- Proactive Maintenance
- Cost Control

OPERATOR STATION

- ROPS/FOPS
- Air-Suspension Seat with Heat
- Tilttable Steering Wheel
- 2" Retractable Seat Belt
- Cab with Automatic Climate Control System, Windshield Wiper and Washer, Skylight w/ Sunshade, 24V Power Outlet and DAB Radio with Bluetooth
- Smartphone Holder with USB Port
- OPG Level II Front Guard (optional)





WORKING DIMENSIONS

A	Maximum Reach	25 ft 2.1 in	7,675 mm
B	Maximum Reach at Ground Level	24 ft 5.3 in	7,450 mm
C	Maximum Digging Depth	13 ft 5.2 in	4,095 mm
D	Maximum Vertical Digging Depth	11 ft 6.8 in	3,525 mm
E	Reach at Maximum Digging Depth	9 ft	2,745 mm
F	Maximum Height at Cutting Edge	27 ft 1.2 in	8,260 mm
G	Maximum Dumping Height	20 ft 5.7 in	6,240 mm
H	Minimum Dumping Height	8 ft 6.5 in	2,605 mm
I	Reach at Maximum Height	6 ft 11.9 in	2,130 mm
J	Reach at Maximum Dumping Height	7 ft 7.9 in	2,335 mm
K	Dozer Blade Maximum Lifting Height	15.7 in	400 mm
L	Dozer Blade Maximum Lowering Depth	5.9 in	150 mm
M	Outrigger Maximum Lowering Depth	5.9 in	150 mm

OPERATING PERFORMANCE

Operating Weight	23,424 lb	(10,625 kg)
Bucket Capacity (Heaped)	1.5 cu yd	(1.15 m ³)
Slew Speed	9.7 rpm	
Travel Speed		
Low Speed 1	3.5 mph	(5.6 km/h)
High Speed 1	9.7 mph	(15.6 km/h)
Low Speed 2	6.5 mph	(10.5 km/h)
High Speed 2	18.1 mph	(29.1 km/h)
Gradeability	35°	
Maximum Bucket Digging Force	13,241 lbf	(6,006 kgf)
Maximum Arm Digging Force	8,925 lbf	(4,048 kgf)
Traction Force	12,994 lbf	(5,894 kgf)
Boom Swing Angle (Left/Right)	68°/59°	

ENGINE

Make/Model	DEUTZ/TCD3.6 L4	
Rated Output (ISO 14396)	114 hp	85.0 kW / 2,200 min ⁻¹
Maximum Torque	339 ft lb	460.0 Nm / 1,600 min ⁻¹
Displacement	221 cu in	3,621 ml
Alternator	28 V - 2.24 kW	
Battery (IEC 60095-1)	12 v 90 A • h X2	

FLUID CAPACITIES

Engine Lubrication	10.6 qt	(10 L)
Cooling System	25.4 qt	(24 L)
Fuel Tank Capacity	42.8 gal	(162 L)
Hydraulic Reservoir Capacity	24.2 gal	(91.6 L)
Hydraulic System Capacity	54.1 gal	(205 L)
DEF Tank Capacity	2.6 gal	(10 L)

HYDRAYLIC SYSTEM

Total Hydraulic Flow	46.5 gpm	(176 L/min)
Primary Auxiliary Flow	31.7 gpm	(120 L/min)
Secondary Auxiliary Flow	14.5 gpm	(55 L/min)
Third Auxiliary	3,046 psi	(21 MPa)
Hydraulic System Pressure	3,988 psi	(27.5 MPa)
Auxiliary 1 Pressure	3,046 psi	(21 MPa)
Auxiliary 2 Pressure	3,046 psi	(21 MPa)



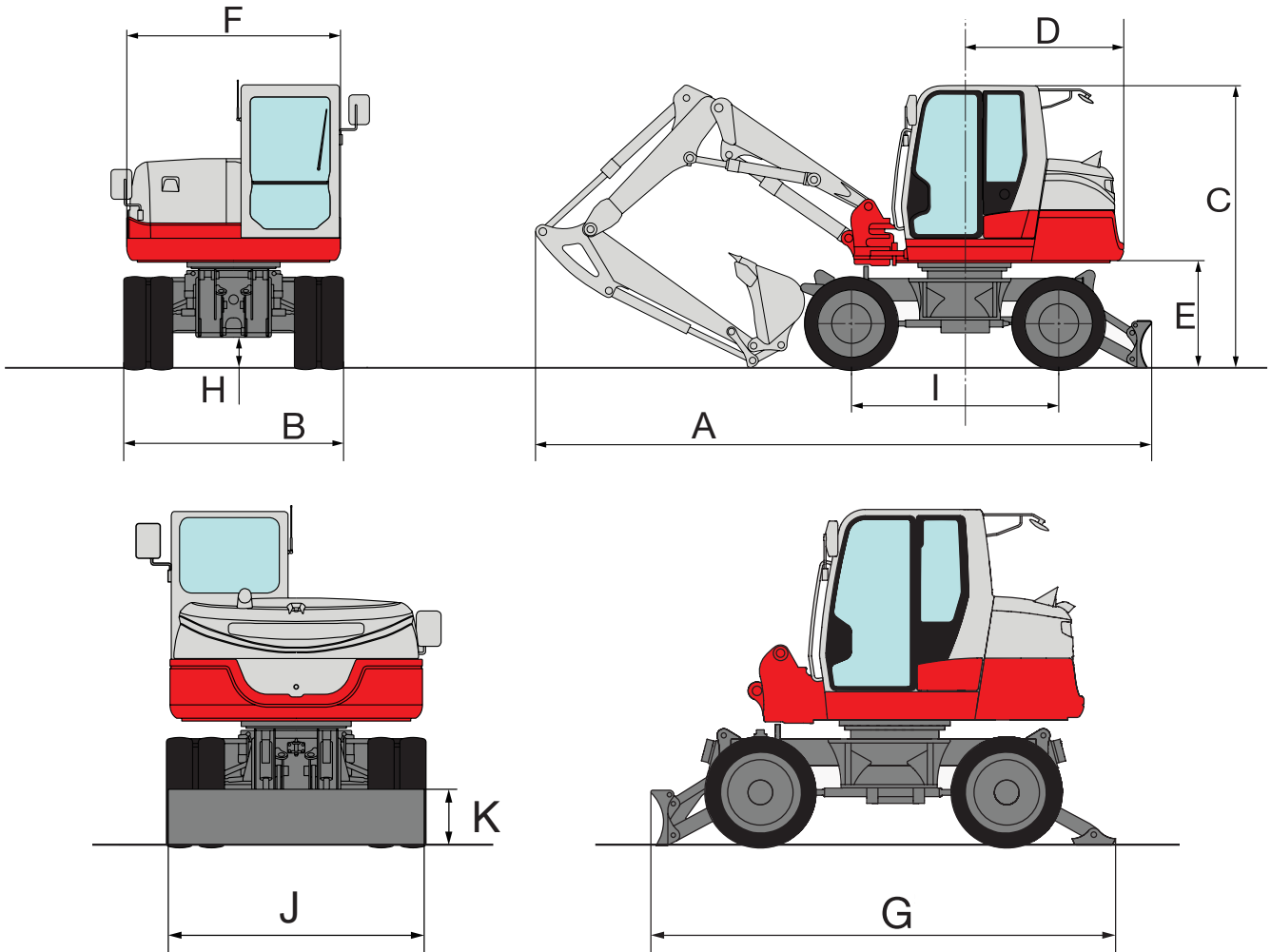
LED LIGHTING PACKAGE

LARGE LOCKABLE
OVERHEAD SERVICE DOORS



MACHINE DIMENSIONS

MACHINE DIMENSIONS			
A	Overall Length	22 ft 3.3 in	6,790 mm
B	Overall Width	7 ft 7.3 in	2,320 mm
C	Overall Height	9 ft 10.9 in	3,020 mm
D	Slew Radius	5 ft 6.5 in	1,690 mm
E	Clearance Height Under Upper Structure	3 ft 7.9 in	1,115 mm
F	Overall Width of Upper Structure	7 ft 5.4 in	2,270 mm
G	Overall Length of Undercarriage	13 ft 8 in	4,165 mm
H	Ground Clearance of Undercarriage	12.6 in	320 mm
I	Wheel Base	7 ft 2.6 in	2,200 mm
J	Dozer Blade Width	7ft 6.5 in	2,300 mm
K	Dozer Blade Height	19.7 in	500 mm



TAKEUCHI



519 BONNIE VALENTINE WAY | PENDERGRASS, GA 30567 | 706.693.3600

©2024 Takeuchi Manufacturing [U.S.], Ltd. All Rights Reserved. Printed in the U.S.A.
In accordance with our established policy of continued improvement.
FORM: TB395W Spec Sheet - July 2024