

# SINGLE DRUM COMPACTOR

# CASE

CONSTRUCTION

SINCE 1842.

## SV208

### ENGINE

Model	Cummins QSB 3.3 C99
Type	Tier 3 Certified
Rated power	99 hp (74.5 kW)

### ELECTRICAL SYSTEM

Voltage	24 V
Batteries	2 - 61 A
Alternator	45 A

### STEERING

Gear pump	1
Cylinders	2
Angle (left/right)	36°
Oscillation angle	12°
Inside turning radius	3.09 m (10.2 ft)
Turning radius – outside	4.68 m (15.3 ft)

### WEIGHT

#### WEIGHT - SMOOTH DRUM

Operating weight without cab	7180 kg (15,830 lbs)
Max. weight with cab	7260 kg (16,010 lbs)
Drum weight	4012 kg (8,844 lbs)
Static linear load	23.9 kg/cm (134 lb/in)
Tire ballast	1200 kg (2,646 lbs)

#### WEIGHT - PADFOOT DRUM

Operating weight without cab	12 020 kg (26,500 lbs)
Max weight with cab	12 242 kg (26,990 lbs)
Tire ballast	1200 kg (2,646 lbs)

### TRAVEL

Hydraulic circuit type	Closed
Variable displacement axial piston type wheel drive pump	1
Hydraulic fixed displacement wheel drive motors	2
Drive motor interlock	Yes
Hydraulic variable displacement drum drive motor	1
F/R travel speed range	4
Working speeds:	
1st (max.)	2.5 km/h (1.6 mph)
2nd (max.)	3.5 km/h (2.2 mph)
3rd (max.)	4.7 km/h (2.9 mph)
Max travel speed	11 km/h (6.8 mph)

Gradeability	50%
Transversal stability (machine in straight line)	32°

### VIBRATION

Hydraulic circuit type	Closed
Variable displacement axial piston type pump	1
Fixed displacement hydraulic motor	1
Vibration modes	2
Vibration	2 eccentric weights circular pattern / continuously adjustable

Frequency	
Low	1800 VPM (30 Hz)
High	2460 VPM (41 Hz)
Amplitude	
Low	.86 mm (.034 in)
High	1.7 mm (.069 in)
Centrifugal force	
Low	130 kN (29,215 lbs)
High	145 kN (32,586 lbs)

### TIRES

Size	14.9 x 24 8PR
Smooth drum	Diamond or traction tread
Padfoot drum	Traction tread
Tire ballast	Traction tread only

### CAPACITY

Fuel tank	275 l (72.7 gal)
Engine oil	11 l (12 qt)
Engine coolant	19 l (20 qt)
Hydraulic reservoir	73 l (77 qt)
Transmission	2.5 l (2.6 qt)
Drive axle	2.5 l (2.6 qt)
Vibration system	6.7 l (7.1 qt)

### CAB

Isolated from chassis by flexible shock absorbers, handrail, dual rearview mirrors, front lighting, instrument panel anti-vandal guard. Vinyl suspension seat with armrests and 2 inch (51 mm) retractable seat belt. Exceptional front/rear visibility.

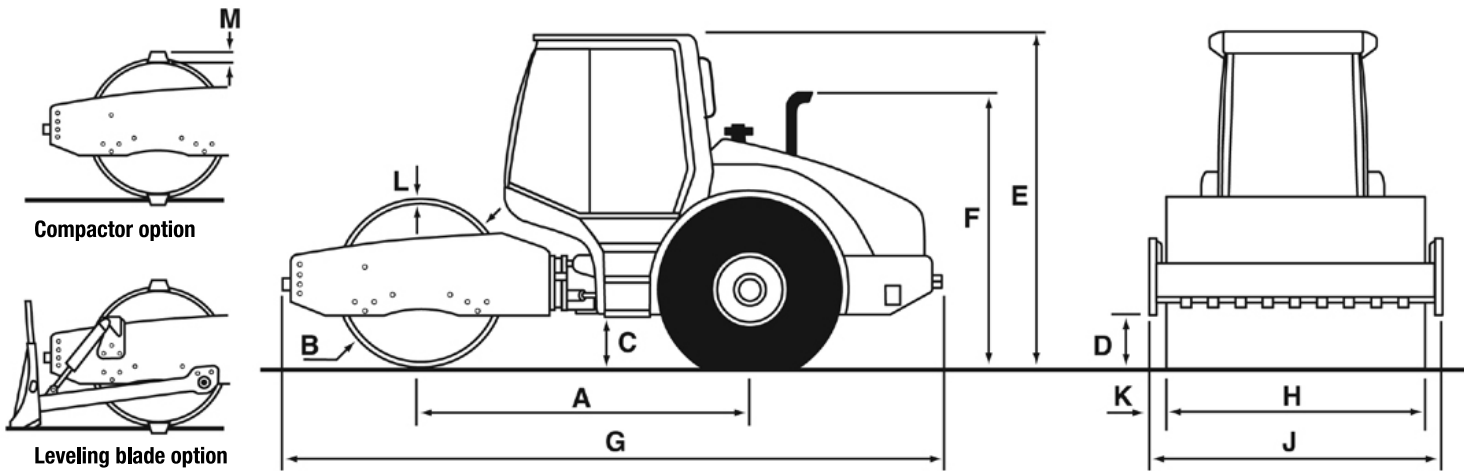
### STANDARD EQUIPMENT

ROPS & FOPS protection  
Hydrostatic drive for both drum and wheels  
Dual amplitude vibration  
Interwheel differential lock  
Articulated chassis  
Front and rear tow points  
4-point lift and tie-down provision  
Fan guard  
Backup alarm  
Halogen work lights, 2F/2R  
Auto-vibration control  
Master disconnect switch  
Spring applied, hydraulic release parking brake  
3 working speeds / 1 transport speed  
Single lever speed / direction control  
Steering wheel spinner knob  
Lockable tool box  
Cup holder  
Horn  
Emergency stop button  
Spin-on fuel, engine oil and hydraulic filters  
LCD monitor

### OPTIONAL EQUIPMENT

Traction Assist Systems  
ASC-anti-slip control (smooth drum option only)  
HD-heavy duty (includes ASC; smooth drum or padfoot drum)  
HT-high traction (includes ASC; padfoot drum with leveling blade only)  
Padfoot shell kit with scrapers  
Pressurized cab with heat and ventilation  
Air conditioning  
Radio ready (antenna and 2 speakers / no radio)  
Engine filter pre-cleaner  
Electric engine hood tilt  
3 in (76.2 mm) retractable seat belt  
Compaction meter system (Voelkel)  
Compaction meter printer  
Side slope rollover warning system  
Rotating beacon

## DIMENSIONS



<b>A.</b> Wheelbase	2.6 m (101 in)
<b>B.</b> Drum diameter	
Smooth drum	1.3 m (51 in)
Padfoot drum	1.4 m (55 in)
<b>C.</b> Ground clearance	0.38 m (15.2 in)
<b>D.</b> Distance to the curb	0.37 m (14.8 in)
<b>E.</b> Overall height	2.9 m (113 in)
<b>F.</b> Muffler height	2.2 m (87 in)
<b>G.</b> Overall length	5.2 m (205 in)
<b>H.</b> Drum width	1.68 m (66 in)
<b>J.</b> Overall width	1.7 m (67.7 in)
<b>K.</b> Frame extensions	0.035 m (1.4 in)
<b>L.</b> Drum thickness	0.025 m (1.0 in)
<b>M.</b> Padfoot height	80 mm (3.1")



**SiteWatch™**

Fleet monitoring and management system by satellite or cel phone tracking.

CASE Corporation reserves the right to make improvements in design or changes in specifications at any time without incurring any obligation to install them on units previously sold. The specifications, descriptions, and illustrative materials contained here reflect correctly the data known up to the publication date, but are subject to changes with no previous notice. The illustrations may include optional equipment and accessories and may not include all standard equipment.

CCEIO103 – 03/2022 – Impreso en Brasil

**CaseCE.com**

**CNI**  
INDUSTRIAL | CAPITAL

### Garín Trade Office

ARGENTINA  
Ávalos 2829 Edif. 1 Piso 4°,  
Complejo Urbana  
Vicente López (1605) Bs. As.,  
Argentina. Phone +54 (11) 2034 1400

### Manufacturing plants

BRAZIL  
Contagem – Minas Gerais – Brazil  
Av. General David Sarnoff, 2237  
Inconfidentes – C. P. 32210-900  
Phone +55 31 2104-3392

Sorocaba – São Paulo – Brazil  
Av. Jerome Case, 1.801  
Éden – CEP 18087-220  
Phone +55 15 3334-1700