



ENGINE

Make	Kubota
Emissions Certification	Tier 4 Final
Model	V3307-CR-TE5
Cylinders	4
Displacement	203 in ³ (3 331 cm ³)
Gross horsepower @ 2200 RPM:	75 hp (55.4 kW)
Max. torque @ 1500 RPM	191 lbf-ft (259 N-m)

DRIVETRAIN

Drive	Hydrostatic
F/R travel speed range	4
Working speeds w/o traction assist	mph (kph)
1st – max.	1.6 (2.5)
2nd – max.	2.5 (4.0)
3rd – max.	3.7 (6.0)
Max. travel speed	7.5 (12.0)
Parking brake	Multi-disc
Emergency brake	Multi-disc
Variable displacement axial piston type wheel drive pump	1
Hydraulic fixed displacement wheel drive motors	2
Drive motor interlock	Yes
Hydraulic variable displacement drum drive motor	1
Gradeability w/o traction assist	59%
w/ HX Drive Traction Assist	67%
Lateral stability during driving w/o vibration:	25%

ELECTRICAL

Voltage	12 Volts
Battery	1 x 120 amp
Alternator	45 amp

OPERATOR ENVIRONMENT

Isolated from chassis by flexible shock absorbers; Handrail; Dual rearview mirrors; Front lighting; Instrument panel anti-vandal guard; Vinyl suspension seat w/ armrests and 3 in (76.2 mm) retractable seat belt.

OPERATING WEIGHT

Weight - Smooth drum:	
Operating weight w/o cab	15,400 lb (6 990 kg)
Max. weight w/ cab	18,520 lb (8 400 kg)
Drum weight	8,600 lb (3 900 kg)
Static linear load	129.9 lb/in (23.2 kg/cm)
Weight - Padfoot drum:	
Operating weight w/o cab	16,330 lb (7 410 kg)
Max. weight w/ cab	19,440 lb (8 820 kg)
Weight of Blade (opt.)	1,230 lb (560 kg)

SERVICE CAPACITIES

Fuel tank	34.34 gal (130 L)
Engine oil	2.96 gal (11.2 L)
Engine coolant	6.87 gal (26 L)
Hydraulic system	14 gal (53 L)
Vibration system	1.59 gal (6 L)

OTHER SPECIFICATIONS

Steering:	
Pump – gear type	1
Cylinders	2
Angle – left and right	30°
Oscillation angle	9°
Inside turning radius	101.6 in (2 580 mm)
Outside turning radius	170.9 in (4 340 mm)
Vibratory system:	
Hydraulic circuit type	Closed
Variable displacement axial piston type pump	1
Fixed displacement hydraulic motor	1
Vibration modes	2
Vibration	2 eccentric weights circular pattern/continuously adjustable
Frequency:	
Low	2,040 vpm (34 Hz)
High	2,160 vpm (36 Hz)
Amplitude:	
Low	0.028 in (0.7 mm)
High	0.063 in (1.6 mm)
Centrifugal force:	
Low	14,387 lb (64 kN)
High	29,450 lb (131 kN)
Tires:	
Size	14.9 x 24"
Smooth drum	Diamond or traction tread
Padfoot drum	Traction tread
Tire ballast	Traction tread only

STANDARD EQUIPMENT

OTHER

ROPS and FOPS protection
Hydrostatic drive for both drum and wheels
Differential lock
Articulated chassis
Front and rear tow points
Remote fluid drains
4-point lift and tie-down provision
Fan guard
Backup alarm
Halogen work lights, 2F/2R
Master disconnect switch
Spring applied, hydraulic release parking brake
3 working speeds/1 transport speed
Spin-on fuel, engine oil and hydraulic filters
Spring-Assist tilting for engine Hood

OPERATOR ENVIRONMENT

Lockable tool box
Cup holder
Single lever speed/direction control
Emergency stop button
Steering wheel embedded monitor
3 in (76.2 mm) retractable seat belt

INSTRUMENT PANEL

Steering wheel spinner knob
Horn

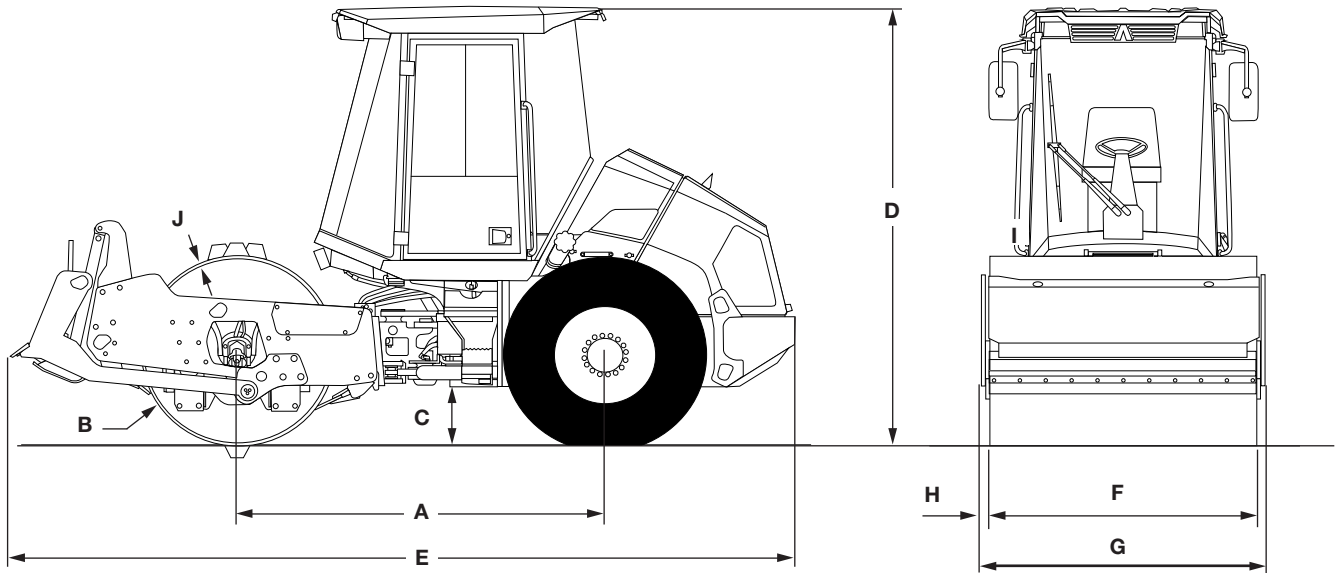
VIBRATION SYSTEM

Auto vibration control
Dual amplitude vibration
Dual frequency vibration

OPTIONAL EQUIPMENT

OTHER

Automatic Traction Control (ATC):
Standard on Padfoot models
Leveling Blade
Padfoot shell kit w/ scrapers
Pressurized cab with heat, ventilation, air conditioning and radio ready - antenna and 2 speakers/no radio
Engine filter pre-cleaner
Rotating beacon
Ballast tires
Analog compaction indicator
ACE Force Intelligent Compaction (Cab only)
ACE Force Printer (Cab only)
Road Lights (not available on Padfoot)
CASE SiteWatch™ Telematics – includes hardware and a 3-yr Advanced data subscription



Line drawings are for illustrative purpose only and may not be exact representation of unit.

DIMENSIONS

A. Wheel base	90.6 in (2 300 mm)
B. Drum diameter	
Smooth drum	48.2 in (1 225 mm)
Padfoot drum	48 in (1 219 mm)
C. Ground clearance	15 in (380 mm)
D. Overall height	112.6 in (2 860 mm)
E. Overall length	174.2 in (4 425 mm)
F. Drum width	66.1 in (1 680 mm)
G. Overall width	70.5 in (1 790 mm)
H. Frame extensions	4.4 in (111.76 mm)
J. Drum thickness	0.7 in (18 mm)

CaseCE.com

©2021 CNH Industrial America LLC. All rights reserved. CASE is a trademark registered in the United States and many other countries, owned by or licensed to CNH Industrial N.V., its subsidiaries or affiliates. CNH Industrial Capital is a trademark in the United States and many other countries, owned by or licensed to CNH Industrial N.V., its subsidiaries or affiliates. Printed in U.S.A. Contains 10% post-consumer fiber.

IMPORTANT: CASE Construction Equipment Inc. reserves the right to change these specifications without notice and without incurring any obligation relating to such change. Availability of some models and equipment builds vary according to the country in which the equipment is used. The illustrations and text may include optional equipment and accessories and may not include all standard equipment. Your CASE dealer/distributor will be able to give you details of the products and their specifications available in your area.



CASE Construction Equipment is biodiesel-friendly. NOTE: All engines meet current EPA emissions regulations. All specifications are stated in accordance with SAE Standards or Recommended Practices, where applicable.



Always read the Operator's Manual before operating any equipment. Inspect equipment before using it, and be sure it is operating properly. Follow the product safety signs and use any safety features provided.

Form No. CCE202103SV207E
Replaces Form No. CCE202002SV207E

SV207E

2 of 2