



ENGINE

Model	Isuzu AR-4HK1X Turbocharged w/cooled intercooler/ SCR System
Emissions Certification	Tier 4 Final
Fuel	Requires ultra low-sulfur fuel B5 biodiesel tolerant
Type	Water-cooled, 4 cycle diesel, 4 cylinder inline, High pressure common rail (electric system), Turbocharger w/ air cooled intercooler, SCR system
Cylinders	4-cylinder in-line
Displacement	317 in ³ (5.2 L)
Bore/Stroke	4.53 x 4.92 in (115 x 125 mm)
Fuel injection	Direct injection – electronic
Fuel filter	Replaceable, full flow spin-on cartridge
Air filter	Dry type element w/ warning restriction indicator
Oil filter	Replaceable, full flow spin-on cartridge
Engine gradeability:	
Side-to-side	35°
Fore and aft	35°
Net horsepower – SAE J1349 @ 1800 RPM:	160 hp (119.3 kW)
Net Max. Torque – SAE J1349 @ 1600 RPM:	458 lb-ft (621 N·m)
Cooling operating range:	109° to -13° F (43° to -25° C)
Oil	Requires low-ash oil CJ-4
DRIVETRAIN	
Travel control	Dual stage relief/ counter balance design
Brakes	Mechanical disc
Service brakes	SAHR disc – each motor
Two speed travel:	
Max. high speed	3.1 mph (5.0 km/h)
Max. low speed	2.0 mph (3.2 km/h)
Automatic downshift	
Drawbar pull	45,000 lbf (200 kN)
Gradeability	70% - 35 degree slope

ELECTRICAL

Voltage	24 Volts
Alternator rating	50 amp
Batteries	2 x 12 Volt
Battery reserve capacity	92 Ah/5 hours
Work lights – 4	24 Volt/70 watt
1 boom, 1 upper, 2 cab	
1 Operator cab	10 watt

OPERATOR ENVIRONMENT

Air-conditioner output	13,492 BTU/hr
Heater output	12,892 BTU/hr
Sound level inside cab – ISO6395	70 dBA
Electrical outlet	12 Volt
Cab interior light	10 watt
Rear view camera	Standard
Seat	Air-suspension

ATTACHMENT

Boom	18 ft 8 in (5 700 mm)
Arm options	9 ft 8 in (2.94 m)
Bucket digging force*	31,800 lbf (142 kN)
w/ Auto Power Boost	34,600 lbf (154 kN)

OPERATING WEIGHT

Operating weight	56,900 lb (25 800 kg)
w/ shoes	2 ft 7 in (800 mm)
w/ boom	18 ft 8 in (5 700 mm)
w/ arm	9 ft 8 in (2 940 mm)
w/ bucket	1,435 lb (651 kg)
w/ counterweight	16,400 lb (7 430 kg)

NOTE: w/ operator/full fuel/standard equipment.

GROUND PRESSURE

@ Standard operating weight	5.8 psi (0.4 bar)
w/ 31.5 in (800 mm) triple semi-grouser shoes	

HYDRAULICS

System design	Open center
Main pumps	Two variable displacement/ axial piston
Max. rated flow	55.7 gpm (211 L/min)
System pressures:	
Boom, arm and bucket	4,975 (343 bar)
w/ power boost	5,410 (380 bar)
Travel circuit	4,970 (343 bar)
Swing circuit	4,260 (300 bar)
Pilot pump	1 x gear design
Max. capacity	4.8 gpm (18 L/min)

Controls	w/ boom/arm holding valve
Right track travel, bucket, boom and arm acceleration.	Four-spool section

Left track travel, auxiliary, swing, boom acceleration and arm.	Five-spool section
Work Mode selections	SP: Speed Priority H: Heavy Duty A: Automatic
Swing motor	Fixed displacement axial piston
Swing final drive	Planetary gear reduction
Travel motor	Two-speed independent travel/axial piston

HYDRAULIC CYLINDERS

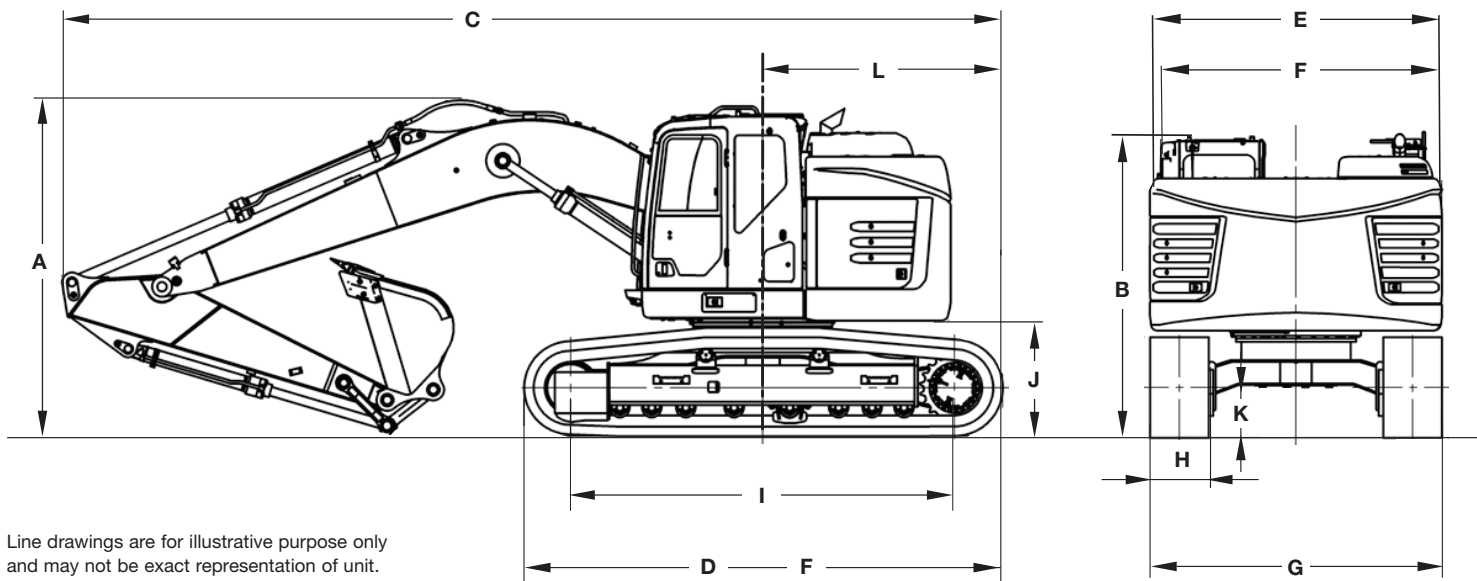
Boom cylinders	Two (2)
Cylinder bore	4.7 in (120 mm)
Cylinder rod diameter	3.3 in (85 mm)
Cylinder stroke	53.9 in (1 370 mm)
Arm cylinder	One (1)
Cylinder bore	5.5 in (140 mm)
Cylinder rod diameter	3.9 in (100 mm)
Cylinder stroke	57.5 in (1 460 mm)
Bucket cylinder	One (1)
Cylinder bore	4.7 in (120 mm)
Cylinder rod diameter	3.3 in (85 mm)
Cylinder stroke	39.8 in (1 010 mm)

SERVICE CAPACITIES

Fuel tank	85 gal (320 L)
Hydraulic system	67 gal (252 L)
Hydraulic tank	30 gal (114 L)
Engine oil w/ filter	6 gal (23.1 L)
Swing drive	5.3 qt (5 L)
Final drive – each side	5.3 qt (5 L)
Cooling system	8.4 gal (31.9 L)

OTHER SPECIFICATIONS

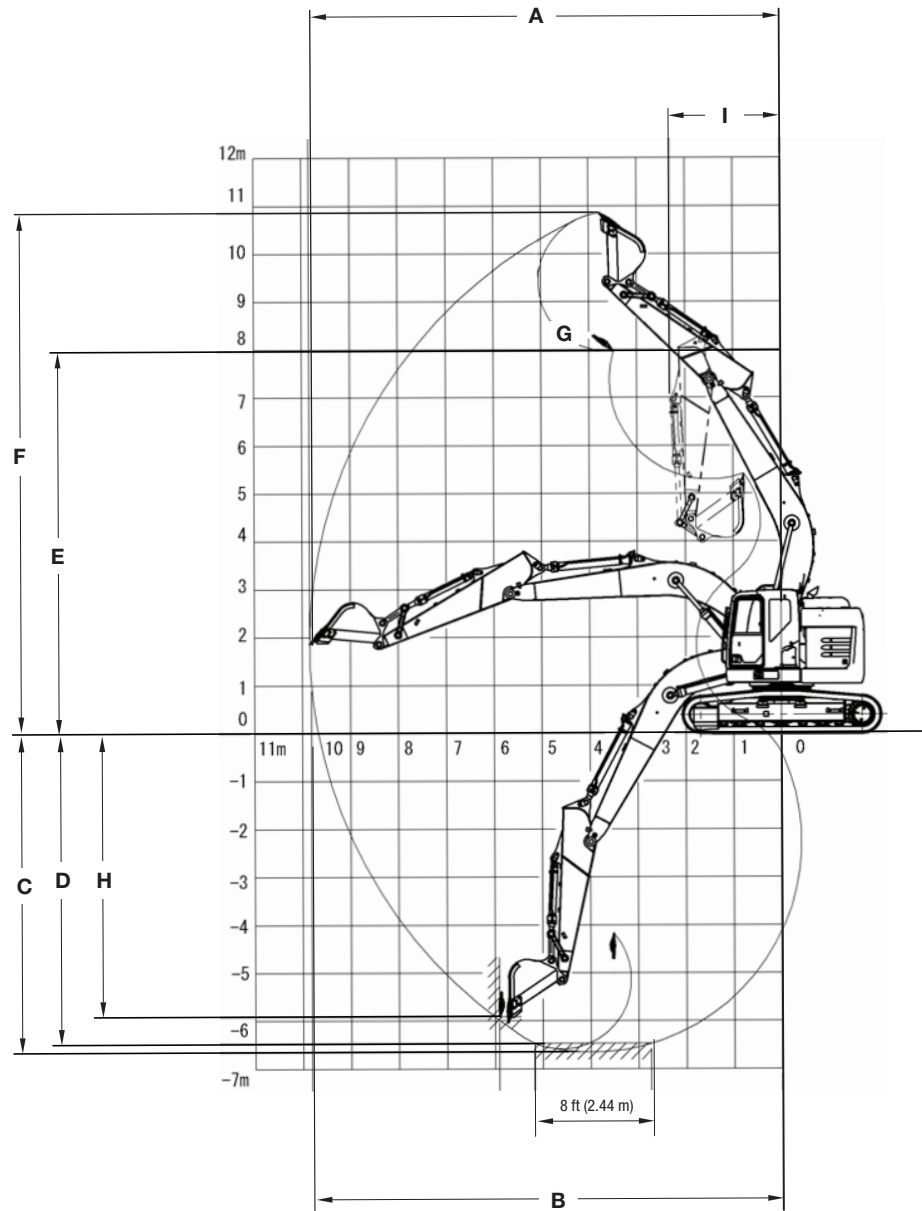
Swing speed	0 – 11.5 RPM
Swing torque	47,204 lb-ft (64 000 N·m)
Swing brake	Mechanical disc
Undercarriage:	
Length	14 ft 8 in (4 470 mm)
Track gauge	7 ft 9 in (2 390 mm)
Carrier rollers	2
Track rollers	8
Shoes – Triple grouser	49
Shoe width – std.	2 ft 7 in (800 mm)
Link pitch	7 in (190 mm)
Track:	
Chain	Grease lubricated/strutted
Guides	Single
Adjustment	Hydraulic



Line drawings are for illustrative purpose only and may not be exact representation of unit.

DIMENSIONS

	7 ft 10 in (2.40 m) Arm	9 ft 8 in (2.94 m) Arm
A. Overall height - with attachment	10 ft 5 in (3 180 mm)	10 ft 0 in (2 980 mm)
B. Cab height	10 ft 0 in (3 040 mm)	10 ft 0 in (3 040 mm)
C. Overall length - with attachment	29 ft 3 in (8 920 mm)	29 ft 0 in (8 830 mm)
D. Overall length - without attachment	14 ft 8 in (4 470 mm)	14 ft 8 in (4 470 mm)
E. Width of upper structure	9 ft 10 in (2 990 mm)	9 ft 10 in (2 990 mm)
F. Track overall length	14 ft 8 in (4 470 mm)	14 ft 8 in (4 470 mm)
G. Track overall width - with 23.6 in (600 mm) shoes Track overall width - with 23.6 in (800 mm) shoes	10 ft 4 in (2 990 mm) 10 ft 6 in (3 190 mm)	10 ft 4 in (2 990 mm) 10 ft 6 in (3 190 mm)
H. Track shoe width	2 ft 7 in (800 mm)	2 ft 7 in (800 mm)
I. Center to center-idler to sprocket	12 ft 0 (3 660 mm)	12 ft 0 in (3 660 mm)
J. Upper structure ground clearance	3 ft 4 in (1 020 mm)	3 ft 4 in (1 020 mm)
K. Minimum ground clearance	1 ft 5 in (440 mm)	1 ft 5 in (440 mm)
L. Rear tail swing radius	6 ft 4 in (1 790 mm)	6 ft 4 in (1 790 mm)
Operating weight		59,600 lb (25 800 kg)
Ground pressure - with 9 ft 8 in (2.94 m) arm, 800 mm grouser		5.8 psi (0.4 bar)



PERFORMANCE SPECS

	7 ft 10 in (2.40 m) Arm	9 ft 8 in (2.94 m) Arm
A. Maximum dig radius	30 ft 9 in (9 370 mm)	32 ft 4 in (9 850 mm)
B. Dig radius at ground level	30 ft 1 in (9 180 mm)	31 ft 9 in (9 670 mm)
C. Maximum dig depth	20 ft 1 in (6 120 mm)	21 ft 10 in (6 650 mm)
D. Dig depth - 8 ft 0 in (2.44 m) level bottom	19 ft 5 in (5 910 mm)	21 ft 3 in (6 480 mm)
E. Dump height	25 ft 0 in (7 630 mm)	26 ft 2 in (7 970 mm)
F. Maximum reach height	34 ft 7 in (10 520 mm)	36 ft 1 in (10 860 mm)
G. Bucket rotation	177°	177°
H. Maximum vertical wall dig depth	18 ft 0 in (5 480 mm)	19 ft 5 in (5 920 mm)
I. Minimum swing radius		
Arm digging force:		
Standard	27,600 lbf (123 kN)	23,100 lbf (123 kN)
Power Boost	30,000 lbf (133 kN)	25,100 lbf (112 kN)
Bucket digging force		
Standard	31,800 lbf (142 kN)	31,800 lbf (142 kN)
Power boost	34,600 lbf (154 kN)	34,600 lbf (154 kN)

LIFT CAPACITIES

CX245D SR – 18 ft 8 in (5.70 m) Boom and 7 ft 11 in (2.40 m) Arm Lift capacities using a bucket weighing 1,540 lb (700 kg) and 16,370 lb (7 430 kg) counterweight.

Load (Lift Point Height)	MINIMUM REACH			0 ft (0 m)		5 ft (1.5 m)		10 ft (3 m)		15 ft (4.5 m)	
	@	END	SIDE	END	SIDE	END	SIDE	END	SIDE	END	SIDE
+30 ft (9 m)	13 ft 10 in (4.14 m)	5,600 lb* (2 180 kg)*	5,600 lb* (2 180 kg)*							10,100 lb* (3 540 kg)*	10,100 lb* (3 540 kg)*
+25 ft (7.5 m)	14 ft 2 in (4.31 m)	7,450 lb* (3 610 kg)*	7,450 lb* (3 610 kg)*							8,150 lb* (3 710 kg)*	8,150 lb* (3 710 kg)*
+20 ft (6 m)	13 ft 2 in (3.95 m)	11,600 lb* (5 330 kg)*	11,600 lb* (5 330 kg)*							11,350 lb* (5 210 kg)*	11,350 lb* (5 210 kg)
+15 ft (4.5 m)	5 ft 9 in (1.74 m)	13,350 lb* (8 150 kg)*	13,350 lb* (8 150 kg)*					18,100 lb* (8 480 kg)*	18,100 lb* (8 480 kg)*	14,400 lb* (6 700 kg)*	14,400 lb* (6 700 kg)
+10 ft (3 m)	9 ft 8 in (2.97 m)	14,400 lb* (6 600 kg)*	14,400 lb* (6 600 kg)*					26,950 lb* (10 340 kg)*	26,950 lb* (10 340 kg)*	18,600 lb* (8 590 kg)*	17,150 lb (7 950 kg)*
+5 ft (1.5 m)	10 ft 5 in (3.16 m)	13,500 lb* (6 210 kg)*	13,500 lb* (6 210 kg)*							21,750 lb* (10 000 kg)*	16,000 lb (7 420 kg)
Groundline	8 ft 5 in (2.57 m)	12,700 lb* (5 790 kg)*	12,700 lb* (5 790 kg)*					17,750 lb* (7 800 kg)*	17,750 lb* (7 800 kg)*	22,950 lb* (10 600 kg)*	15,300 lb (7 110 kg)
-5 ft (-1.5 m)	3 ft 0 in (0.93 m)	12,500 lb* (5 620 kg)*	12,500 lb* (5 620 kg)*			19,450 lb* (8 730 kg)*	19,450 lb* (8 730 kg)*	26,000 lb* (11 470 kg)*	26,000 lb* (11 470 kg)*	22,650 lb* (10 460 kg)*	15,250 lb (7 090 kg)
-10 ft (-3 m)	3 ft 1 in (0.92 m)	22,250 lb* (9 860 kg)*	22,250 lb* (9 860 kg)*			25,650 lb* (11 440 kg)*	25,650 lb* (11 440 kg)*	30,050 lb* (13 880 kg)*	29,950 lb* (13 880 kg)*	21,000 lb* (9 710 kg)*	15,500 lb (7 200 kg)*
-15 ft (-4.5 m)	6 ft 1 in (1.77 m)	32,300 lb* (15 340 kg)*	32,300 lb* (15 340 kg)*					23,500 lb* (10 960 kg)*	23,500 lb* (10 960 kg)*	16,600 lb* (7 790 kg)*	15,800 lb (7 330 kg)

Load (Lift Point Height)	20 ft (6 m)		25 ft (7.5 m)		30 ft (9 m)		MAXIMUM REACH		
	END	SIDE	END	SIDE	END	SIDE	@	END	SIDE
+30 ft (9 m)							16 ft 8 in (5.32 m)	8,600 lb* (3 810 kg)*	8,600 lb* (3 810 kg)*
+25 ft (7.5 m)	9,850 lb* (4 450 kg)*	9,850 lb* (4 450 kg)*					22 ft 11 in (7.08 m)	7,400 lb* (3 330 kg)*	7,400 lb* (3 330 kg)*
+20 ft (6 m)	10,900 lb* (4 980 kg)*	10,900 lb* (4 980 kg)*	9,800 lb* (4 500 kg)*	8,050 lb (3 770 kg)			26 ft 5 in (8.12 m)	7,000 lb* (3 160 kg)*	7,000 lb* (3 160 kg)*
+15 ft (4.5 m)	11,950 lb* (5 530 kg)*	11,450 lb (5 320 kg)	10,750 lb* (4 990 kg)*	7,900 lb (3 670 kg)			28 ft 7 in (8.72 m)	6,950 lb* (3 140 kg)*	6,150 lb (2 780 kg)
+10 ft (3 m)	13,950 lb* (6 460 kg)*	10,950 lb (5 070 kg)	11,700 lb* (5 360 kg)*	7,600 lb (3 540 kg)	(3 240 kg)*	(2 560 kg)	29 ft 6 in (9.00 m)	7,100 lb* (3 230 kg)*	5,650 lb (2 560 kg)
+5 ft (1.5 m)	15,700 lb* (7 250 kg)*	10,350 lb (4 810 kg)	11,900 lb (5 530 kg)	7,300 lb (3 400 kg)			29 ft 6 in (9.00 m)	7,550 lb* (3 430 kg)*	5,550 lb (2 510 kg)
Groundline	16,500 lb (7 660 kg)*	9,950 lb (4 630 kg)	11,650 lb (5 420 kg)	7,100 lb (3 300 kg)			28 ft 7 in (8.72 m)	8,350 lb* (3 790 kg)*	5,750 lb (2 610 kg)
-5 ft (-1.5 m)	16,350 lb (7 600 kg)	9,850 lb (4 570 kg)	11,650 lb (5 410 kg)	7,100 lb (3 290 kg)			26 ft 9 in (8.16 m)	9,750 lb* (4 420 kg)*	6,400 lb (2 900 kg)
-10 ft (-3 m)	15,300 lb* (7 110 kg)*	10,050 lb (4 660 kg)					23 ft 8 in (7.25 m)	11,350 lb* (5 140 kg)*	7,800 lb (3 520 kg)
-15 ft (-4.5 m)							19 ft 0 in (5.87 m)	11,100 lb* (5 050 kg)*	11,100 lb* (4 960 kg)

NOTE: *Lift capacities marked with an asterisk (*) are limited by 87% hydraulic capacity and 75% tipping capacity.

LIFT CAPACITIES

CX245D SR – 18 ft 8 in (5.70 m) Boom and 9 ft 8 in (2.94 m) Arm Lift capacities using a bucket weighing 1,440 lb (650 kg) and 16,370 lb (7 430 kg) counterweight.

Load (Lift Point Height)	MINIMUM REACH			0 ft (0 m)		5 ft (1.5 m)		10 ft (3 m)		15 ft (4.5 m)	
	@	END	SIDE	END	SIDE	END	SIDE	END	SIDE	END	SIDE
+30 ft (9 m)	14 ft 7 in (4.52 m)	4,400 lb* (2 090 kg)*	4,400 lb* (2 090 kg)*							4,800 lb*	4,800 lb*
+25 ft (7.5 m)	15 ft 10 in (4.83 m)	8,050 lb* (3 820 kg)*	8,050 lb* (3 820 kg)*								
+20 ft (6 m)	15 ft 0 in (4.54 m)	9,850 lb* (4 520 kg)*	9,850 lb* (4 520 kg)*								
+15 ft (4.5 m)	9 ft 7 in (2.9 m)	10,300 lb* (4 810 kg)*	10,300 lb* (4 810 kg)*					11,000 lb* (5 050 kg)*	11,000 lb* (5 050 kg)*	12,400 lb* (5 760 kg)*	12,400 lb* (5 760 kg)*
+10 ft (3 m)	7 ft 2 in (2.21 m)	19,050 lb* (8 290 kg)*	19,050 lb* (8 290 kg)*					23,900 lb* (11 070 kg)*	23,900 lb* (11 070 kg)*	17,200 lb* (7 980 kg)*	17,200 lb* (7 980 kg)*
+5 ft (1.5 m)	8 ft 1 in (2.46 m)	9,200 lb* (4 170 kg)*	9,200 lb* (4 170 kg)*					21,300 lb* (9 020 kg)*	21,300 lb* (9 020 kg)*	20,950 lb* (9 700 kg)*	16,400 lb (7 610 kg)
Groundline	5 ft 4 in (1.62 m)	8,350 lb* (3 790 kg)*	8,350 lb* (3 790 kg)*					19,650 lb* (8 640 kg)*	19,650 lb* (8 640 kg)*	22,800 lb* (10 540 kg)*	15,500 lb (7 210 kg)
-5 ft (-1.5 m)	1 ft 3 in (0.38 m)	11,850 lb* (5 300 kg)*	11,850 lb* (5 300 kg)*			16,450 lb* (7 430 kg)*	16,450 lb* (7 430 kg)*	25,100 lb* (11 100 kg)*	25,100 lb* (11 100 kg)*	22,900 lb* (10 570 kg)*	15,250 lb (7 090 kg)
-10 ft (-3 m)	1 ft 3 in (0.37 m)	18,200 lb* (8 160 kg)*	18,200 lb* (8 160 kg)*			22,650 lb* (10 120 kg)*	22,650 lb* (10 120 kg)*	32,100 lb* (14 810 kg)*	30,350 lb (14 140 kg)*	21,900 lb* (10 110 kg)*	15,400 lb (7 160 kg)
-15 ft (-4.5 m)	3 ft 8 in (1.06 m)	29,200 lb* (12 860 kg)*	29,200 lb* (12 860 kg)*			32,700 lb* (14 500 kg)*	32,700 lb* (14 500 kg)*	26,700 lb* (12 430 kg)*	26,700 lb* (12 430 kg)*	18,650 lb* (8 700 kg)*	15,900 lb* (7 380 kg)*

Load (Lift Point Height)	20 ft (6 m)		25 ft (7.5 m)		30 ft (9 m)		MAXIMUM REACH		
	END	SIDE	END	SIDE	END	SIDE	@	END	SIDE
+30 ft (9 m)	(3 000 kg)*	(3 000 kg)*					19 ft 7 in (6.17 m)	5,750 lb* (2 550 kg)*	5,750 lb* (2 550 kg)*
+25 ft (7.5 m)	8,900 lb* (4 040 kg)*	8,900 lb* (4 040 kg)*	(2 910 kg)*	(2 910 kg)*			25 ft 0 in (7.71 m)	5,000 lb* (2 250 kg)*	5,000 lb* (2 250 kg)*
+20 ft (6 m)	9,850 lb* (4 500 kg)*	9,850 lb* (4 500 kg)*	8,950 lb* (4 090 kg)*	8,300 lb (3 880 kg)			28 ft 3 in (8.66 m)	4,750 lb* (2 140 kg)*	4,750 lb* (2 140 kg)*
+15 ft (4.5 m)	11,000 lb* (5 070 kg)*	11,000 lb* (5 070 kg)	10,050 lb* (4 690 kg)*	8,100 lb (3 770 kg)	5,350 lb* (3 050 kg)*	5,350 lb* (2 700 kg)	30 ft 2 in (9.22 m)	4,700 lb* (2 130 kg)*	4,700 lb* (2 130 kg)
+10 ft (3 m)	13,250 lb* (6 120 kg)*	11,200 lb (5 200 kg)	11,100 lb* (5 110 kg)*	7,800 lb (3 620 kg)	8,000 lb* (4 080 kg)*	5,650 lb (2 640 kg)	31 ft 1 in (9.49 m)	4,850 lb* (2 210 kg)*	4,850 lb* (2 210 kg)
+5 ft (1.5 m)	15,200 lb* (7 020 kg)*	10,600 lb (4 910 kg)	12,000 lb* (5 580 kg)	7,450 lb (3 460 kg)	8,800 lb* (4 180 kg)	5,500 lb (2 560 kg)	31 ft 1 in (9.48 m)	5,150 lb* (2 340 kg)*	5,150 lb (2 330 kg)
Groundline	16,450 lb* (7 590 kg)*	10,100 lb (4 690 kg)	11,750 lb (5 470 kg)	7,200 lb (3 340 kg)	6,850 lb* (3 930 kg)*	5,400 lb (2 510 kg)	30 ft 3 in (9.22 m)	5,750 lb* (2 590 kg)*	5,300 lb (2 410 kg)
-5 ft (-1.5 m)	16,400 lb (7 640 kg)	9,850 lb (4 590 kg)	11,650 lb (5 410 kg)	7,100 lb (3 290 kg)			28 ft 6 in (8.69 m)	6,700 lb* (3 020 kg)*	5,850 lb (2 640 kg)
-10 ft (-3 m)	16,000 lb* (7 410 kg)*	10,000 lb (4 630 kg)	11,650 lb (5 430 kg)*	7,250 lb (3 360 kg)			25 ft 8 in (7.85 m)	8,500 lb* (3 790 kg)*	6,900 lb (3 120 kg)
-15 ft (-4.5 m)	13,050 lb* (6 180 kg)*	10,400 lb (4 830 kg)					21 ft 4 in (6.58 m)	11,000 lb* (5 000 kg)*	9,300 lb (4 140 kg)

NOTE: *Lift capacities marked with an asterisk (*) are limited by 87% hydraulic capacity and 75% tipping capacity.

STANDARD EQUIPMENT

OPERATOR ENVIRONMENT

See page 1

ENGINE

Isuzu four-cylinder turbo-charged diesel
Tier 4 Certified – Turbocharged, air cooled
intercooler and SCR system
Electronic fuel injection
High pressure common rail system
Diesel Oxidation Catalyst – DOC
Neutral safety start
Auto-engine warm up
Glow-plug pre-heat
EPF – Engine Protection Feature
Dual-stage fuel filtration
Dual element air filter
Remote oil filter
Green plug oil drain
500-hour engine oil change interval
24-volt system
Requires CJ-4 engine oil
Requires ultra low-sulfur fuel

FUEL ECONOMY SYSTEMS

Engine Idle/Fuel Economy System:
Auto-idle
One-touch idle
Idle shut-down
BEC – Boom Economy Control
AEC – Auto Economy Control
SWC – Swing Relief Control
SSC – Spool Stroke Control

HYDRAULICS

Auto power boost
Auto swing priority
Auto travel speed change
Selectable work modes
ISO pattern controls
Pre-set auxiliary pump settings
Auxiliary valve
Auxiliary pipe brackets
Control pattern selector
5,000-hour hydraulic oil change interval
1,000-hour hydraulic filter change interval
SAHR brake

UPPER STRUCTURE

Right and left side mirrors
Isolation mounted cab – fluid and spring
Common key vandal locks
Upper mounted work light – 70 watt
Swivel guard belly pan

UNDERCARRIAGE

31.5 in (800 mm) steel shoes, triple semi-
grouser
Full overlap turntable bearing tub
Single track chain guides
Hydraulic track adjustment
X-pattern carbody

ATTACHMENTS

Boom – 18 ft 8 in (5.70 m)
Arm – 9 ft 8 in (2.94 m)
Heavy-duty bucket linkage
Boom mounted work light – 70 watt
Auxiliary pipe brackets
Centralized grease fittings
Attachment cushion valve
Arm and boom regeneration

TELEMATICS

CASE SiteWatch™ Telematics – includes
hardware and a 3-yr Advanced
data subscription

OPTIONAL EQUIPMENT

OPERATOR ENVIRONMENT

FOPS cab top guard – Level 2
 Front grill guard – 2 x 2 screen mesh
 Front rock guard:
 Vertical bars – two piece/OPG 1
 Front rock guard:
 Vertical bars – fixed/one piece/OPG 2
 Vandal guard
 Rain deflector
 Sun visor
 Side-view camera

HYDRAULICS

Auxiliary hydraulics:
 Single acting/joystick activated
 Double acting/joystick activated
 Multi-function/joystick activated
 Secondary low-flow/joystick activated

MACHINE CONTROL

Leica iCON iXE2 – 2D System
 Leica iCON iXE3 – 3D System

UNDERCARRIAGE

23.6 in (600 mm) rubber shoes
 23.6 in (600 mm) steel shoes, triple semi-grouser
 27.6 in (700 mm) steel shoes, triple semi-grouser

ATTACHMENTS

Arm – 7 ft 10 in (2.40 m)
 Coupler/Case multi-pin grabber
 Buckets:
 Heavy-duty
 Extreme-duty
 Load holding control
 Free swing – order kit through Service Parts
 Hose Burst Check Valve – HBCV

BUCKETS

Application	Width	SAE Heaped Capacity
General Purpose	24 in (0.61 m) to 48 in (1.22 m)	0.65 yd ³ (0.50 m ³) to 1.53 yd ³ (1.17 m ³)
Heavy-duty	24 in (0.61 m) to 48 in (1.22 m)	0.64 yd ³ (0.49 m ³) to 1.51 yd ³ (1.15 m ³)
Extreme-duty	24 in (0.61 m) to 42 in (1.07 m)	0.58 yd ³ (0.44 m ³) to 1.19 yd ³ (0.91 m ³)
Heavy-duty coupler	24 in (0.61 m) to 39 in (0.99 m)	0.55 yd ³ (0.42 m ³) to 1.03 yd ³ (0.79 m ³)
Ditching	60 in (1.52 m) to 66 in (1.68 m)	1.08 yd ³ (0.83 m ³) to 1.20 yd ³ (0.92 m ³)

CaseCE.com

©2021 CNH Industrial America LLC. All rights reserved. CASE is a trademark registered in the United States and many other countries, owned by or licensed to CNH Industrial N.V., its subsidiaries or affiliates. CNH Industrial Capital is a trademark in the United States and many other countries, owned by or licensed to CNH Industrial N.V., its subsidiaries or affiliates. Printed in U.S.A. Contains 10% post-consumer fiber.

IMPORTANT: CASE Construction Equipment Inc. reserves the right to change these specifications without notice and without incurring any obligation relating to such change. Availability of some models and equipment builds vary according to the country in which the equipment is used. The illustrations and text may include optional equipment and accessories and may not include all standard equipment. Your CASE dealer/distributor will be able to give you details of the products and their specifications available in your area.



CASE Construction Equipment is biodiesel-friendly. NOTE: All engines meet current EPA emissions regulations. All specifications are stated in accordance with SAE Standards or Recommended Practices, where applicable.



Always read the Operator's Manual before operating any equipment. Inspect equipment before using it, and be sure it is operating properly. Follow the product safety signs and use any safety features provided.

Form No. CCE202106CX245DSR
 Replaces Form No. CCE201701CX245DSR

CX245D SR

7 of 7