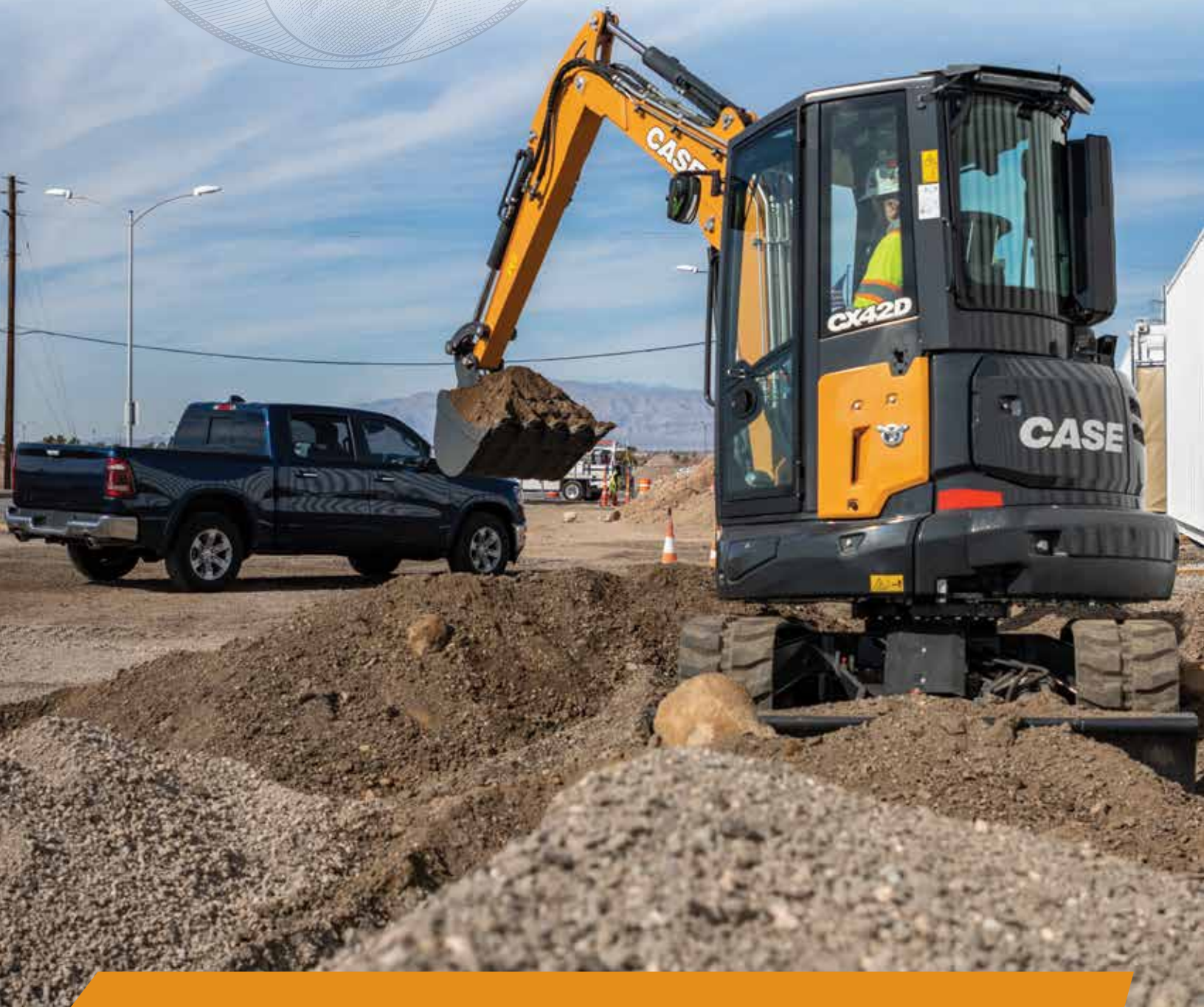




**CASE**  
CONSTRUCTION

**CASE**  
**MINI EXCAVATORS**







# MINI EXCAVATORS ENERGIZED ELECTRIFIED ELEVATED

Electric to diesel. True zero to conventional tailswing. Ten models from 1.5 up to 6 metric tons with more on the way. Whether you're in utilities, construction, public works or landscaping, CASE now offers one of the most comprehensive lineups of mini excavators to deliver you the solution that matches your needs.

**Built to fit.** The job. The operator. Your trucks. Your budget — there's a CASE mini excavator for everyone.

# NEW PREMIUM EXPERIENCE SAME CASE GRIT





The all-new CASE D Series mini excavators are both operator first and business friendly with an extremely comfortable and intuitive in-cab experience, and a wealth of standard features that allow you to do more work faster, more profitably, and with greater confidence. All while delivering the speed, responsiveness and power you've come to expect from CASE.

- + **Optimal jobsite access with zero tailswing with standard swing boom**
- + **Standard multifunction and 2nd auxiliary hydraulics (with an optional third circuit)\***
- + **All-day comfort with a well appointed cab and premium controls**
- + **Big excavator controls and settings in a much smaller footprint**
- + **Backfill like a boss with a standard two-way blade or optional six-way blade**
- + **Peace of mind with a standard 5 year CASE SiteWatch telematics subscription for collaborative fleet management**

\*Standardization varies by model and series



# A PREMIUM MINI EXCAVATOR EXPERIENCE

The all-new CASE D Series mini excavators deliver massive performance in a true zero tailswing design, allowing operators to get extremely up close and personal to buildings and obstacles without sacrificing any excavator performance.

## KEY FEATURES:



### GET UP IN THERE

The true zero tailswing design allows the operator to work confidently against structures and in tight places — all D-series mini's have zero tail swing with the standard counterweight.



### EASY ACCESS TO CONTROLS

Easy access to key operational buttons and the monitor dial allows for easy control and greater focus for the operator.



### BIG MONITOR. BIG CONTROL.

From three power modes and proportional hydraulic controls to attachment settings and critical machine data, the large seven-inch color LCD monitor makes it easy to operate each machine while allowing the operator to dial it in to their preferences.



### EXPAND YOUR TOOLSET

Standard multifunction auxiliary hydraulics and standard 2nd auxiliary hydraulics on select models + an optional 3rd auxiliary circuit puts a whole world of attachments at your fingertips — turning your mini excavator into an all-purpose all-star.



### STANDARD STABILITY & BACKFILLING

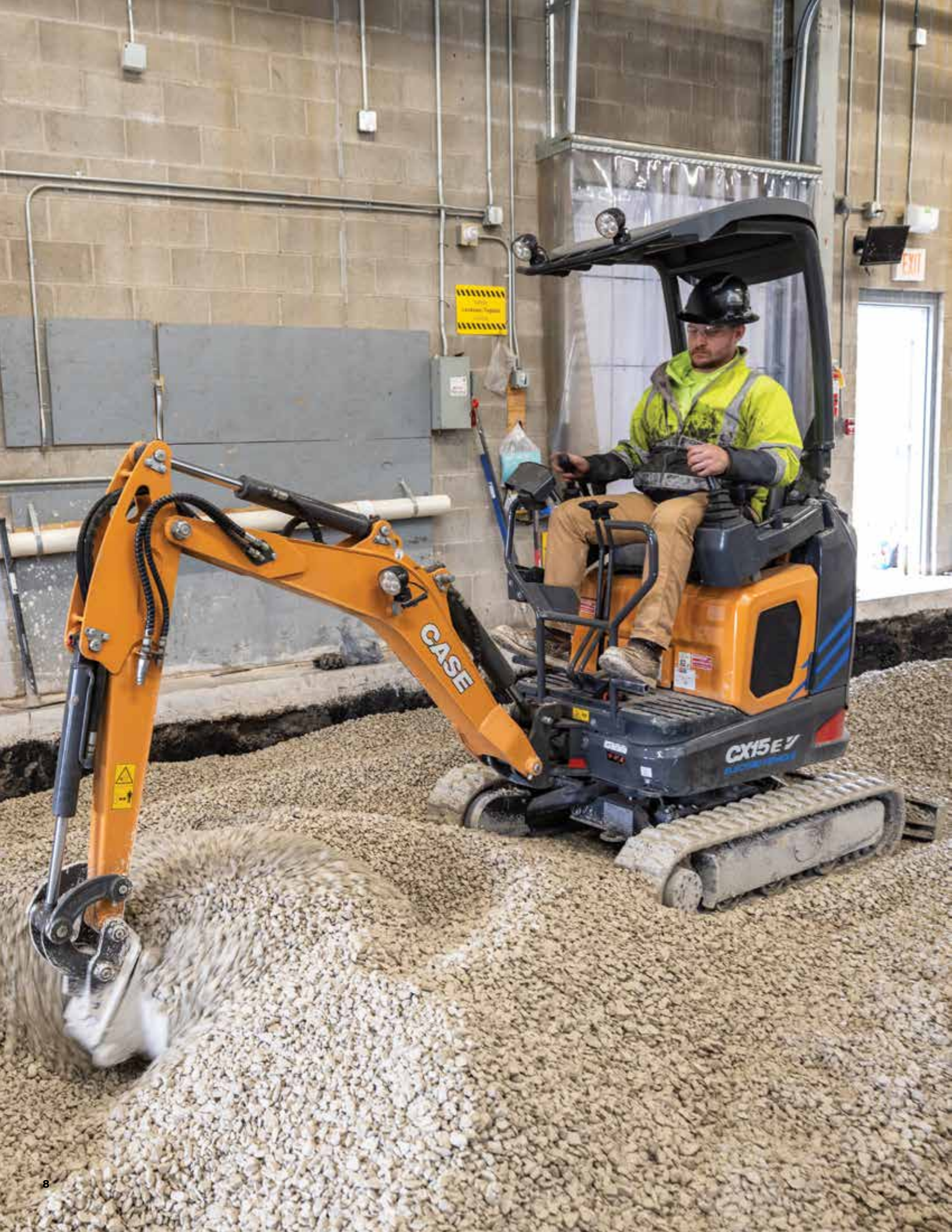
Whether backfilling a trench or adding stability to a challenging dig, the standard two-way and optional six-way blade gives the operator the confidence needed to make all the moves needed to get the job done.



### INTELLIGENCE COMES STANDARD

A 5 year CASE SiteWatch telematics subscription is standard with CASE D Series mini excavators, giving you deeper insights into machine performance, utilization and service schedules — and allowing you to connect with your local CASE dealer to collaborate on fleet management.

\*Standardization varies by model and series





# HIGH ENERGY LOW MAINTENANCE NO EMISSIONS

The CASE CX15EV electrified mini excavator allows you to work indoors (and out), improve communication on the jobsite, and ultimately lower lifetime owning and operating costs by eliminating all maintenance related to diesel engines.

Delivering enough power to get you through a whole work day, CASE electric mini excavators deliver the same performance as diesel machines while improving the overall operating environment.



**GO ANYWHERE. HEAR EVERYTHING.**  
CASE electric mini excavators are easy to transport and allow you to work indoors thanks to zero emissions output, and the quiet operation improves communications between operators and other workers on site.



**FULLY FEATURED CONTROLS**  
CASE electric minis deliver the same power and performance as diesel-powered machines, with the ability to choose operating modes, adjust control precision, and run/control attachments to get the job done right.



**ATTACHED TO SUCCESS**  
Attachments allow you to do more with your CASE mini excavator with standard auxiliary hydraulics and an optional 2nd auxiliary circuit + the ability to set and save flow settings for optimal performance.



**REDUCE DOWNTIME AND INCREASE PRODUCTIVITY**  
Simplified daily checks with no diesel, no engine oil and no emissions technology help reduce downtime and make these machines extremely easy to own and operate.

# PROVEN PERFORMANCE UNCOMMON RESULTS

CASE C Series mini excavators have spent years transforming the way that landscapers, utilities, public works departments, residential contractors and farms dig in everything from decorative lighting to footings.

If it ain't broke, don't fix it — CASE C Series minis are here to make a difference for you today.

- + Standard auxiliary hydraulics expand capabilities and job opportunities
- + Smooth and super-responsive hydraulics and controls
- + Standard pattern changing valve to match operator preference
- + Auto engine functions that simplify and improve operation
- + A tailswing configuration for every job





# OPERATE IN COMFORT

## A COMPLETE OPERATOR EXPERIENCE

If you can comfortably stay in the seat longer, you'll be able to get more work done. The C Series cab ensures you remain comfortable, whether you spend one hour or an entire day at the controls. An ergonomically designed suspension seat, adjustable arm rests and a spacious environment helps to minimize operator fatigue.

Quieter, temperature controlled and easy to operate, C Series mini excavators offer operator-friendly ergonomic controls that keep you productive all day long. Also, operators can fully customize their work environment and operating preferences to fit their individual needs.



### WIDE CAB

The cab provides operators with more space and excellent visibility of both the cab interior and the view around the machine. This puts the operator in a better position to work comfortably.



### ADVANCED LCD CLUSTER

Operators can select personal machine preferences. The monitor displays engine rpm, engine oil temperature, water temperature and information for all electronic devices. Buttons provided for auto idle mode, max power mode and travel speed. A security feature prevents the machine from starting without a proper password.



### VENTILATION SYSTEM

A full, auto air conditioning system provides the operator with optimum air temperature.



### BLUETOOTH RADIO/ USB CONNECTOR

Enjoy an advanced audio system with AM/FM stereo and USB/iPod connector. A Bluetooth hands-free feature is available.



### ERGONOMIC JOYSTICK

Ergonomically designed joysticks reduce operator fatigue during the workday.



### ACCELERATION DIAL WITH LED LIGHT

The acceleration dial is easy to control and recognizable in dark working conditions thanks to an LED light.



### ROLLER SHADE

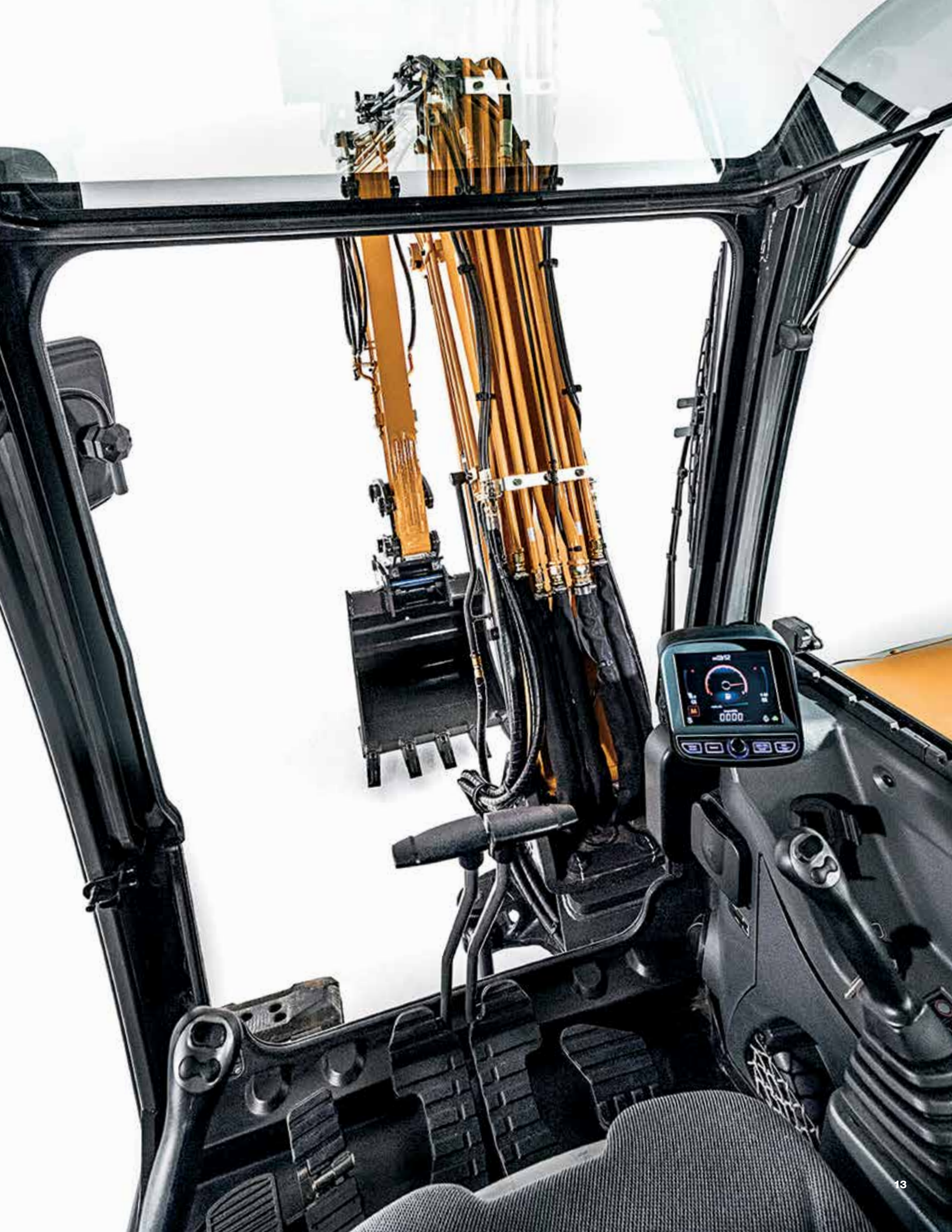
A large upper roof glass provides additional visibility and a roller shade is provided to reduce glare and sunlight.



### PEDALS

Pedals are designed for maximum comfort and spaced for low effort.

\*Features on these pages are exclusive to the CX57C and CX60C



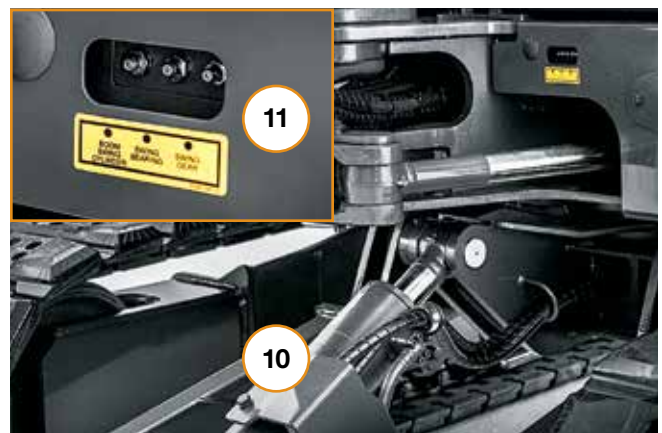
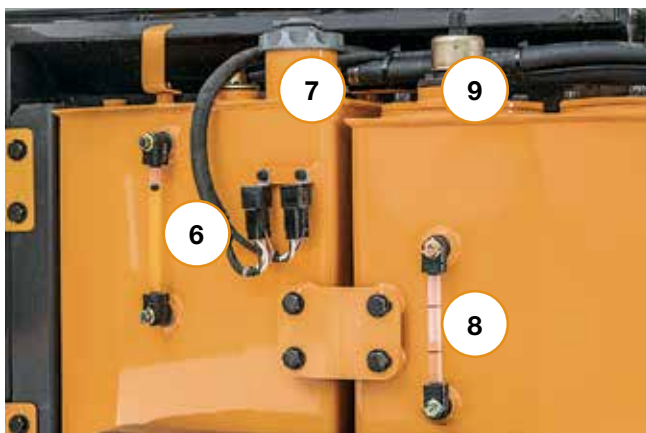
# MAINTENANCE MADE EASY

## A CASE HALLMARK: GROUNDLINE ACCESS

When you invest in CASE equipment, you need it to last. We make it simple, and CASE mini excavators are built for easy access and serviceability. From wide-open swing-out access panels to ground-level sight gauges and service points, maintenance takes a matter of minutes. It's just one way we help you get the most uptime and performance out of your CASE mini excavator.

### EASY ACCESS TO EVERYTHING

- 1 Engine oil check and fill
- 2 Air filter
- 3 Fuel filter
- 4 Coolant reservoir
- 5 Radiator
- 6 Fuel sight gauge
- 7 Fuel fill
- 8 Hydraulic sight gauge
- 9 Hydraulic fill
- 10 Blade guards
- 11 Grouped grease points



\*CASE CX60C depicted in these images — each CASE mini excavator may feature

# SUPPORT COMES STANDARD

## BASE WARRANTY COVERAGE:

2-YEAR/3,000-HOUR FULL MACHINE LIMITED WARRANTY

## UPTIME SOLUTIONS

Your CASE dealer can provide solutions to meet all your needs and keep you productive.



## STRONGER PRODUCT SUPPORT SOLUTIONS

Your CASE dealer knows how you can best maximize your equipment investment and uptime — with CASE genuine parts, expert service and a complete range of product support solutions including CASE remanufactured and All Makes parts. CASE supports better parts availability and faster deliveries through nine parts distribution centers in North America and a forecasting system to ensure that the right parts will be there when you need them. And only CASE dealers have exclusive access to the Electronic Service Tool (EST) that quickly pinpoints machine issues. Just ask your dealer for details.



## FLEXIBLE FINANCIAL OPTIONS

Specialized finance programs and flexible leasing packages are available for industry-leading CASE equipment while no-nonsense warranties and comprehensive protection plans ensure that your equipment is protected. As the only finance company dedicated to CASE, we offer strong products and services designed around your unique service needs.



**CASE PlusCare** gives you flexibility to customize product support on new machines to help you maintain equipment durability and consistent operation while enhancing jobsite productivity. Protect your investment and maintain value while powering through tough worksite conditions with building a package from these key product-support categories:

- + Maintenance Agreements
- + Purchased Protection Plans
- + Bundled Support Services



**CASE SiteWatch telematics** — available standard on CASE D-series and EV model mini excavators\*\* — empowers equipment owners and operators to make important decisions about their equipment and business based on current data. CASE SiteWatch has been enhanced with an all-new dashboard, more intuitive navigation and new overview sections that spotlight critical information without requiring the user to search extensively for the data.

\*Warranty information listed pertains to diesel models only. Please see your CASE dealer for limitations, exclusions and confirmation of policies in effect; does not reflect electric vehicle warranties

\*\*Check with your local CASE dealer for availability and options by model

A map of North America, including the United States, Canada, and Mexico, is shown in white against a black background. The map is overlaid with a grid of state and provincial boundaries. Numerous small orange dots are scattered across the map, representing the locations of CASE dealers. The dots are most densely clustered in the eastern and central United States, with fewer dots in the western and northern regions.

**CASE**  
CONSTRUCTION

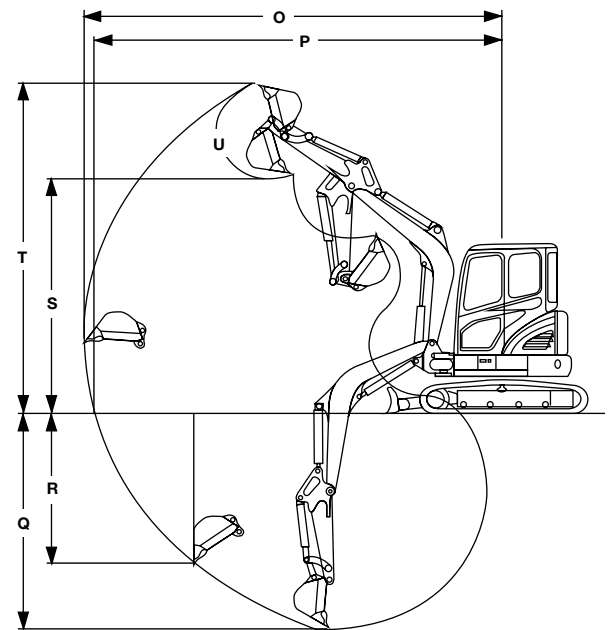
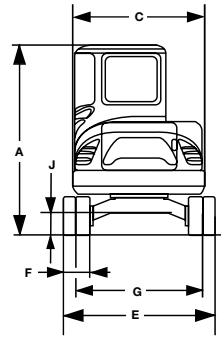
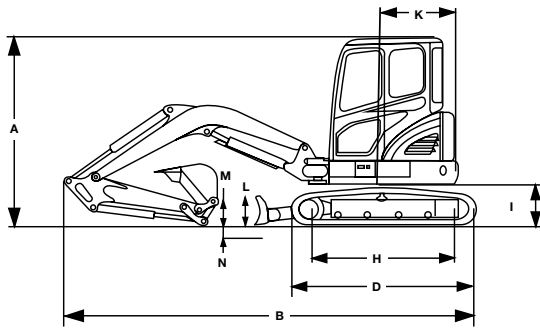
**2023**  
**North America**  
**Dealers**

HIP POCKET SUPPORT.  
**ALL ACROSS**  
**NORTH AMERICA.**

From CASE SiteWatch telematics to tried-and-true CASE dealer support, assistance is as close as the phone in your pocket. CASE dealers are the North American authorities on backhoe loaders — most of whom have been selling, supporting and servicing CASE backhoes for 65 years!



# SPECIFICATIONS AND DIMENSIONS



Line drawings are for illustrative purpose only and may not be exact representation of unit.

DIMENSIONS	CX15EV	CX17C	CX26C	CX30C	CX37C	CX42D	CX57C	CX60C
Arm	3 ft 4 in (1.02 m)	3 ft 2 in (0.96 m)	3 ft 8 in (1.12 m)	3 ft 8 in (1.12 m)	4 ft 3 in (1.3 m)	4 ft 7 in (1.40 m) Arm	5 ft 3 in (1.6 m)	4 ft 10 in (1.48 m)
A. Overall Height	7 ft 7 in (2 300 mm)	7 ft 7 in (2 320 mm)	8 ft 2 in (2 500 mm)	8 ft 2 in (2 500 mm)	8 ft 2 in (2 500 mm)	8 ft 3 in (2 510 mm)	8 ft 4 in (2 550 mm)	8 ft 4 in (2 550 mm)
B. Overall Transport Length	10 ft 5 in (3 180 mm)	11 ft 5 in (3 480 mm)	13 ft 3 in (4 030 mm)	13 ft 9 in (4 180 mm)	15 ft 9 in (4 790 mm)	17 ft 5 in (5 300 mm)	19 ft 4 in (5 900 mm)	18 ft 3 in (5 600 mm)
C. Width of Upper Structure	2 ft 7 in (790 mm)	2 ft 11 in (890 mm)	4 ft 7 in (1 400 mm)	4 ft 10 in (1 485 mm)	5 ft 0 in (1 530 mm)	5 ft 7 in (1 716 mm)	6 ft 1 in (1 850 mm)	6 ft 4 in (1 940 mm)
D. Track Overall Length	4 ft 8 in (1 434 mm)	5 ft 3 in (1 590 mm)	6 ft 3 in (1 910 mm)	6 ft 6 in (1 970 mm)	7 ft 0 in (2 130 mm)	7 ft 5 in (2 260 mm)	8 ft 4 in (2 530 mm)	8 ft 4 in (2 550 mm)
E. Track Overall Width	2 ft 7 in (790 mm)* 3 ft 5 in (1 050 mm)**	3 ft 2 in (990 mm)* 4 ft 3 in (1 300 mm)**	4 ft 11 in (1 500 mm)	5 ft 1 in (1 550 mm)	5 ft 9 in (1 740 mm)	5 ft 9 in (1 750 mm)	6 ft 4 in (1 920 mm)	6 ft 6 in (1 990 mm)
F. Track Shoe Width	7 in (180 mm)	9.0 in (230 mm)	9.8 in (250 mm)	11.8 in (300 mm)	12 in (300 mm)	1 ft 2 in (350 mm)	15 in (380 mm)	15 in (380 mm)
G. Track gauge	2 ft (610mm) 2 ft 10 in (863 mm)	2 ft 6 in (760 mm)* 3 ft 6 in (1 070 mm)**	4 ft 1 in (1 250 mm)	4 ft 1 in (1 250 mm)	4 ft 9 in (1 440 mm)	4 ft 7 in (1 397 mm)	4 ft 11 in (1 500 mm)	5 ft 3 in (1 600 mm)
H. Center to Center – Idler to Sprocket	3 ft 7 in (1 100 mm)	4 ft 0 in (1 230 mm)	4 ft 11 in (1 490 mm)	4 ft 11 in (1 490 mm)	5 ft 7 in (1 700 mm)	5 ft 11 in (1 810 mm)	6 ft 6 in (1 990 mm)	6 ft 6 in (1 990 mm)
I. Upper Structure Ground Clearance	n/a	1 ft 5 in (440 mm)	1 ft 8 in (510 mm)	1 ft 8 in (510 mm)	1 ft 9 in (540 mm)	1 ft 10 in (550 mm)	2 ft 3 in (690 mm)	2 ft 2 in (660 mm)
J. Minimum Ground Clearance	5.7 in (145 mm)	6.7 in (170 mm)	11 in (290 mm)	11 in (290 mm)	11 in (290 mm)	11.4 in (290 mm)	1 ft 3 in (380 mm)	1 ft 3 in (380 mm)
K. Tail Swing Radius	2 ft 4 in (710 mm)	2 ft 1 in (645 mm)	2 ft 6 in (750 mm)	2 ft 6 in (750 mm)	2 ft 10 in (870 mm)	2 ft 10 in (875 mm)	5 ft 5 in (1 650 mm)	3 ft 7 in (1 080 mm)
Boom Swing	60° left/70° right	70° left/54° right	75° left/50° right	75° left/50° right	75° left/50° right	71° left/56° right	80° left/50° right	70° left/50° right
Tail Swing Overhang	6 in (150 mm)**	0 ft 0 in (0 mm)	0 ft 0 in (0 mm)	0 ft 0 in (0 mm)	0 ft 0 in (0 mm)	0 in (0 mm)	2 ft 3 in (690 mm)	3 in (85 mm)
BLADE SPECS	CX15EV	CX17C	CX26C	CX30C	CX37C	CX42D	CX57C	CX60C
L. Backfill Blade Height	9 in (220 mm)	9.8 in (250 mm)	1 ft 0 in (300 mm)	1 ft 1 in (330 mm)	1 ft 3 in (370 mm)	1 ft 4 in (410 mm)	1 ft 2 in (350 mm)	1 ft 2 in (350 mm)
M. Backfill Blade Rise Above Ground	9 in (225 mm)	11.2 in (285 mm)	1 ft 1 in (330 mm)	1 ft 3 in (370 mm)	1 ft 3 in (375 mm)	1 ft 3 in (380 mm)	1 ft 3 in (390 mm)	8 in (200 mm)
N. Backfill Blade Dig Depth	9 in (225 mm)	8.9 in (225 mm)	1 ft 3 in (380 mm)	1 ft 6 in (450 mm)	1 ft 3 in (390 mm)	1 ft 1 in (330 mm)	1 ft 11 in (590 mm)	2 ft 4 in (700 mm)
Backfill Blade Width	2 ft 7 in (790 mm) - 3 ft 5 in (1 050 mm)	4 ft 3 in (1 300 mm)	5 ft 0 in (1 500 mm)	5 ft 1 in (1 550 mm)	5 ft 9 in (1 740 mm)	5 ft 9 in (1 750 mm)	6 ft 4 in (1 920 mm)	6 ft 7 in (2 010 mm)
PERFORMANCE SPECS	CX15EV	CX17C	CX26C	CX30C	CX37C	CX42D	CX57C	CX60C
O. Maximum Dig Radius	12 ft 0 in (3 645 mm)	12 ft 10 in (3 900 mm)	14 ft 8 in (4 480 mm)	15 ft 3 in (4 650 mm)	17 ft 5 in (5 315 mm)	17 ft 9 in (5 400 mm)	20 ft 2 in (6 150 mm)	20 ft 2 in (6 150 mm)
P. Dig Radius at Groundline	12 ft 0 in (3 645 mm)	12 ft 6 in (3 800 mm)	14 ft 3 in (4 340 mm)	14 ft 10 in (4 515 mm)	17 ft 1 in (5 200 mm)	17 ft 3 in (5 270 mm)	19 ft 9 in (6 010 mm)	19 ft 9 in (6 010 mm)
Q. Maximum Dig Depth	6 ft 9 in (2 045 mm)	7 ft 3 in (2 200 mm)	7 ft 11 in (2 420 mm)	8 ft 2 in (2 500 mm)	10 ft 3 in (3 135 mm)	10 ft 1 in (3 085 mm)	12 ft 6 in (3 820 mm)	11 ft 9 in (3 570 mm)
R. Vertical Straight Wall Dig Depth	5 ft 11 in (1 805 mm)	4 ft 4 in (1 320 mm)	4 ft 10 in (1 460 mm)	6 ft 10 in (2 085 mm)	7 ft 2 in (2 190 mm)	7 ft 10 in (2 380 mm)	10 ft 6 in (3 200 mm)	10 ft 0 in (3 040 mm)
S. Dump Height	7 ft 6 in (2 290 mm)	8 ft 5 in (2 570 mm)	9 ft 7 in (2 930 mm)	9 ft 7 in (2 930 mm)	11 ft 3 in (3 425 mm)	12 ft 0 in (3 660 mm)	13 ft 3 in (4 050 mm)	12 ft 11 in (3 930 mm)
T. Overall Reach Height	10 ft 5 in (3 115 mm)	11 ft 9 in (3 580 mm)	13 ft 7 in (4 150 mm)	14 ft 0 in (4 270 mm)	15 ft 9 in (4 810 mm)	16 ft 5 in (5 010 mm)	19 ft 0 in (5 780 mm)	18 ft 8 in (5 680 mm)
U. Bucket Rotation		187°	168°	177°	180°	195°	180°	180°
Arm Digging Force – ISO	1,400 lbf (642 kgf/6.3 kN)	1,920 lbf (870 kgf/8.5 kN)	3,280 lbf (1 490 kgf/14.6 kN)	3,080 lbf (1 397 kgf/13.7 kN)	4,390 lbf (1 990 kgf/19.5 kN)	4,946 lbf (22 kN)	7,190 lbf (3 260 kgf/31.9 kN)	5,950 lbf (2 700 kgf/26.5 kN)
Bucket Digging Force – ISO	2,600 lbf (1 172 kgf/11.5 kN)	3,490 lbf (1 580 kgf/15.5 kN)	4,740 lbf (2 150 kgf/21.1 kN)	4,520 lbf (2 050 kgf/20.1 kN)	6,900 lbf (3 130 kgf/30.7 kN)	9,667 lbf (43 kN)	9,550 lbf (4 330 kgf/42.4 kN)	9,190 lbf (4 170 kgf/40.9 kN)

\*Retracted, \*\*Extended

# SPECIFICATIONS AND DIMENSIONS (CTD.)

OPERATOR STATION	CX15EV	CX17C	CX26C	CX30C	CX37C	CX42D	CX57C	CX60C
<b>Operator Environment</b>	Tilttable Roll-bar (ROPS/TOPS); Optional canopy	TOPS/FOPS with 2-post canopy	ROPS/FOPS with 4-post canopy or Enclosed Cab	ROPS/FOPS with 4-post canopy or Enclosed Cab	ROPS/FOPS with 4-post canopy or Enclosed Cab	ROPS/FOPS Four Post Canopy	ROPS/FOPS Enclosed Cab	ROPS/FOPS Enclosed Cab
<b>Sound Level Inside Cab</b>	ISO 6396: 2008 sound pressure level LpA= 72dB(A)	ISO 6396: 2008 sound pressure level LpA= 76dB(A)	ISO 6396: 2008 sound pressure level LpA= 77dB(A)	ISO 6396: 2008 sound pressure level LpA= 73.5dB(A)	ISO 6396: 2008 sound pressure level LpA= 75dB(A)	ISO 6396: 2008 sound pressure level LpA= 74dB(A)	ISO 6396: 2008 sound pressure level LpA= 76dB(A)	ISO 6396: 2008 sound pressure level LpA= 77dB(A)
OPERATING WEIGHT	CX15EV	CX17C	CX26C	CX30C	CX37C	CX42D	CX57C	CX60C
<b>Type</b>	Canopy	Canopy	Canopy	Canopy	Canopy	Canopy	Cab	Cab
<b>Configuration</b>	Standard Arm with Standard Counterweight	Short Arm with Standard Counterweight	Short Arm with Standard Counterweight	Standard Arm with Standard Counterweight	Long Arm with Additional Counterweight	Long Arm with Additional Counterweight	Long Arm with Standard Counterweight	Long arm with Additional Counterweight
<b>Total</b>	3,186 lb (1 445 kg)	3,910 lb (1 775 kg)	5,520 lb (2 505 kg)	6,306 lb (2 860 kg)	8,350 lb (3 790 kg)	9,921 lb (4 500 kg)	12,320 lb (5 590 kg)	13,760 lb (6 240 kg)
ENGINE	CX15EV	CX17C	CX26C	CX30C	CX37C	CX42D	CX57C	CX60C
<b>Model</b>	Internal permanent magnet (IPM)	Kubota D902	Kubota D1305	Kubota D1305	Yanmar 3TNV88F-ESHYB	Kubota D1803	Yanmar 4TNV98C	Yanmar 4TNV98C
<b>Emissions Certification</b>	n/a	Tier 4 Final	Tier 4 Final	Tier 4 Final	Tier 4 Final (CEGR)	Tier 4 Final	Tier 4 Final (CEGR/DPF)	Tier 4 Final (CEGR/DPF)
<b>Fuel</b>	Lithium Ion Batteries	Diesel	Diesel	Diesel	Diesel	Diesel	Diesel	Diesel
<b>Cylinders</b>	n/a	3	3	3	3		4	4
<b>Displacement</b>	n/a	54.8 in <sup>3</sup> (898 cc)	77.0 in <sup>3</sup> (1 261 cc)	77.0 in <sup>3</sup> (1 261 cc)	100.2 in <sup>3</sup> (1 642 cc)	111.4 in <sup>3</sup> (1 826 cc)	203 in <sup>3</sup> (3 319 cc)	203 in <sup>3</sup> (3 319 cc)
<b>Fuel Injection</b>	n/a	Mechanical	Mechanical	Mechanical	Mechanical w/ electronic governor	Electronic common rail	Electronic common rail	Electronic common rail
<b>Gross Horsepower – SAE J1995</b>	21 hp (16 kW) Motor Power	16.8 hp (12.5 kW) @ 2300 RPM	24.8 hp (18.5 kW) @ 2300 RPM	24.8 hp (18.5 kW) @ 2300 RPM	24.4 hp (18.2 kW) @ 2200 RPM	43.3 hp (32.3 kW) @ 2300 RPM	66.9 hp (49.9 kW) @ 2400 RPM	64.7 hp (48.3 kW) @ 2200 RPM
<b>Maximum Engine Torque</b>	n/a	39.4 lb ft (53.5 Nm) @ 1900 RPM	60.0 lb ft (81.4 Nm) @ 1600 RPM	60.0 lb ft (81.4 Nm) @ 1600 RPM	69.4 lb ft (94.1 Nm) @ 1200 RPM	110.6 lb ft (150 Nm) @ 1600 RPM	173.7 lb ft (235.4 Nm) @ 1550 RPM	173.6 lb ft (235.4 Nm) @ 1560 RPM
<b>Cooling</b>	n/a	Water-cooled	Water-cooled	Water-cooled	Water-cooled	Liquid	Water-cooled	Water-cooled
DRIVETRAIN	CX15EV	CX17C	CX26C	CX30C	CX37C	CX42D	CX57C	CX60C
<b>Travel Speeds:</b> 1st 2nd	1.1 mph (1.8 kph) 2.4 mph (43.8 kph)	1.4 mph (2.2 kph) 2.6 mph (4.2 kph)	1.5 mph (2.4 kph) 2.7 mph (4.3 kph)	1.5 mph (2.4 kph) 2.7 mph (4.3 kph)	1.6 mph (2.5 kph) 2.6 mph (4.2 kph)	1.6 mph (2.6 kph) 2.8 mph (4.5 kph)	1.3 mph (2.1 kph) 2.5 mph (4.1 kph)	1.4 mph (2.2 kph) 2.5 mph (4.0 kph)
<b>Maximum Traction Force</b>	2,200 lbf (1 000 daN)	3,300 lb (1 420 kg)	3,300 lb (1 420 kg)	4,800 lb (2 177 kg)	6,835 lb (3 100 kg)	9,577 lbf (42.6 kN)	11,680 lb (5 300 kg)	11,680 lb (5 300 kg)
<b>Gradeability</b>	30° (60%)	30° (58%)	30° (58%)	30° (58%)	30° (58%)	30° (60%)	35° (70%)	35° (70%)
<b>Ground Pressure</b>	4.6 psi (0.32 kg/cm <sup>2</sup> )	ROPS - 3.9 psi	ROPS - 4.3 psi CAB - 4.6 psi	ROPS - 3.8 psi CAB - 4.1 psi	ROPS - N/A CAB - 4.8 psi	ROPS - 4.1 psi CAB - 4.3 psi	CAB - 4.8 psi	CAB - 5.12 psi
SERVICE CAPACITIES	CX15EV	CX17C	CX26C	CX30C	CX37C	CX42D	CX57C	CX60C
<b>Fuel Tank</b>	n/a	5.3 gal (20 L)	7.9 gal (30 L)	7.9 gal (30 L)	10.5 gal (40 L)	15.9 gal (60 L)	31.7 gal (120 L)	21.7 gal (82 L)
<b>Hydraulic Tank: Refill Capacity Total System</b>	2.5 gal (9.5 L) 4.0 gal (15 L)	3.4 gal (13 L) 6.1 gal (23 L)	7.1 gal (27 L) 14.5 gal (55 L)	7.1 gal (27 L) 14.5 gal (55 L)	9.8 gal (37 L) 15.9 gal (60 L)	13.2 gal (50 L) 17.2 gal (65 L)	18.5 gal (70 L) 31.7 gal (120 L)	15.9 gal (60 L) 29.1 gal (110 L)
<b>Engine Oil w/ Filter Change</b>	n/a	1.0 gal (3.7 L)	1.5 gal (5.7 L)	1.6 gal (5.9 L)	1.8 gal (6.7 L)	1.8 gal (7 L)	3.1 gal (11.6 L)	3.1 gal (11.6 L)
<b>Radiator</b>	n/a	0.9 gal (3.5 L)	1.3 gal (5 L)	1.3 gal (5 L)	1.5 gal (5.5 L)	2.4 gal (9 L)	2.5 gal (9.5 L)	2.9 gal (11 L)

ELECTRICAL	CX15EV	CX17C	CX26C	CX30C	CX37C	CX42D	CX57C	CX60C
<b>Voltage</b>	102 Volts	12 Volts	12 Volts	12 Volts	12 Volts	12 Volts	12 Volts	12 Volts
<b>Alternator Rating</b>	n/a	40 amp	40 amp	40 amp	55 amp	70 amp	60 amp	80 amp
<b>Battery</b>	21.5 kWh	1 x 12 V x 45 Ah 420 CCA	1 x 12 V x 58 Ah 680 CCA	1 x 12 V x 80 Ah 630 CCA	1 x 12 V x 70 Ah 750 CCA	1 x 12 V x 74 Ah	1 x 12 V x 100 Ah 850 CCA	1 x 12 V x 100 Ah 850 CCA
HYDRAULICS	CX15EV	CX17C	CX26C	CX30C	CX37C	CX42D	CX57C	CX60C
<b>Main Pumps</b>	Load Sensing w/ "Flow Sharing" control valve	Variable displacement tandem axial piston pump + gear pump	Variable displacement tandem axial piston pump + gear pump	Variable displacement tandem axial piston pump + gear pump	Variable displacement tandem axial piston pump + gear pump	Load Sensing closed center w/ "Flow Sharing" control valve + gear pump	Variable displacement tandem axial piston pump + gear pump	Variable displacement tandem axial piston pump + gear pump
<b>Maximum Rated Flow</b>	7.4 gpm (28 L/min)	2x5 + 3 gpm (2x18.8 + 11.3 L/min)	2x7.3 + 5.2 gpm (2x27.6 + 19.6 L/min)	2x7.3 + 5.2 gpm (2x27.6 + 19.6 L/min)	2x9.9 + 6.1 gpm (2x37.4 + 23.1 L/min)	28.3 + 5.9 gpm (107 + 22.3 L/min)	2x15.3 + 10.1 gpm (2x57.8 + 38.4 L/min)	2x14.5 + 10.1 gpm (2x55 + 38.4 L/min)
<b>Max Auxiliary Flow</b>	7.4 gpm (28 lpm)	7.9 gpm (30 lpm)	12.2 gpm (46 lpm)	12.2 gpm (46 lpm)	16 gpm (60.5 lpm)	18.5 gpm (70 lpm)	15.3 gpm (57.8 lpm)	14.5 gpm (55 lpm)
<b>Max Auxiliary Pressure</b>	2,600 psi (180 bar)	2,988 psi (206 bar)	3,133 psi (216 bar)	3,133 psi (216 bar)	3,278 psi (226 bar)	2,900 psi (200 bar)	3,133 psi (216 bar)	3,133 psi (216 bar)
<b>System Relief Pressure: Standard Overload Relief Valve</b>	n/a	2,990 psi (206 bar) 3,270 psi (225 bar)	3,130 psi (216 bar) 3,410 psi (235 bar)	3,130 psi (216 bar) 3,410 psi (235 bar)	3,271 psi (226 bar) 3,556 psi (245 bar)	n/a	3,130 psi (216 bar) 3,410 psi (235 bar)	3,130 psi (220 bar) 3,410 psi (240 bar)
<b>Pilot Control Hydraulic System: Pump Maximum Capacity</b>	n/a	Gear Pump 1.8 gpm (6.8 L/min)	Gear Pump 2.7 gpm (10.4 L/min)	Gear Pump 2.7 gpm (10.4 L/min)	Gear Pump 2.6 gpm (9.9 L/min)	Gear Pump 5.9 gpm (22.3 L/min)	Gear Pump 2.5 gpm (9.5 L/min)	Gear pump 2.5 gpm (9.5 L/min)
<b>Control Valves</b>	n/a	Pilot control for left/right track travel, boom, arm, bucket and swing. Manual control for breaker and backfill blade.						
<b>Swing: Motor</b>	Hydraulic drive units w/ axial pistons	Fixed displacement orbit	Fixed displacement axial piston motor	Fixed displacement axial piston motor	- Fixed displacement axial piston motor - Automatic spring applied hydraulic released brake	Hydraulic drive units w/ axial pistons and hydraulic released brake	- Fixed displacement axial piston motor - Automatic spring applied hydraulic released brake	- Fixed displacement axial piston motor - Automatic spring applied hydraulic released brake
<b>Travel: Motor</b>	- Variable displacement hydraulic orbital gear motors - Auto-Shift 2-speed transmission - Hydraulic released parking brake	- Variable displacement axial piston - 2-stage planetary	- Variable displacement axial piston - 2-stage planetary - Automatic spring applied hydraulic released brake	- Variable displacement axial piston - 2-stage planetary - Automatic spring applied hydraulic released brake	- Variable displacement axial piston - 2-stage planetary - Automatic spring applied hydraulic released brake	- Hydraulic drive units w/ axial pistons - Auto-Shift 2-speed transmission - Hydraulic released parking brake	- Variable displacement axial piston - 2-stage planetary - Automatic spring applied hydraulic released brake	- Variable displacement axial piston - 2-stage planetary - Automatic spring applied hydraulic released brake
OTHER SPECIFICATIONS	CX15EV	CX17C	CX26C	CX30C	CX37C	CX42D	CX57C	CX60C
<b>Swing Speed</b>	0 – 9.5 RPM	0 – 9.5 RPM	0 – 9.1 RPM	0 – 9.1 RPM	0 – 9.5 RPM	0 – 10.5 RPM	0 – 9.1 RPM	0 – 8.8 RPM
<b>Undercarriage: Track Rollers</b>	3 lower each	3 each	1 upper/3 lower each	1 upper/4 lower each	1 upper/4 lower each	1 upper/5 lower each	1 upper/5 lower each	1 upper/5 lower each
<b>Boom: Length</b>	5 ft 1 in (1.55 m)	5 ft 11 in (1.8 m)	6 ft 5 in (1.95 m)	6 ft 8 in (2.03 m)	8 ft 2 in (2.5 m)	8 ft 2 in (2.5 m)	9 ft 10 in (3.0 m)	9 ft 6 in (2.9 m)
<b>Arm: Standard Length</b>	3 ft 4 in (1.02 m)	3 ft 2 in (0.96 m)	3 ft 8 in (1.12 m)	3 ft 8 in (1.12 m)	4 ft 3 in (1.3 m)	4 ft 7 in (1.4 m)	5 ft 3 in (1.6 m)	4 ft 10 in (1.48 m)
<b>Long Arm Length</b>	3 ft 9 in (1.15 m)	3 ft 8 in (1.12 m)	4 ft 5 in (1.35 m)	-	5 ft 3 in (1.6 m)	5 ft 5 in (1.65 m)	6 ft 3 in (1.9 m)	6 ft 3 in (1.9 m)



# BUILDING A STRONG CASE.

Since 1842, we at CASE Construction Equipment have lived by an unwavering commitment to build practical, intuitive solutions that deliver both efficiency and productivity.

We strive to make it easier for you to implement emerging technologies and new compliance mandates.

Today, our global scale combined with our local expertise enables us to keep customers' real-world challenges at the center of our product development. This focus has led to numerous innovations like the CASE Minotaur™ DL550 compact dozer loader, Ride Control™, adjustable electro-hydraulic controls, Blade Shake, PowerLift™, over-center boom design and the peace of mind that only CASE ProCare provides.

Every CASE machine is backed by more than 315 North American dealer locations, thousands of OEM, remanufactured and all-makes parts, and flexible financing and insurance options that provide the kind of reliable, steadfast support you expect from a professional partner.

We are passionate about improving the lives of others, whether investing in our veterans or raising awareness about local infrastructure initiatives through Dire States. Our goal is to build both stronger machines — and stronger communities.

At the end of the day, we do what's right by you and your communities so that you can always count on CASE.

[CaseCE.com/MiniEXC](http://CaseCE.com/MiniEXC)

©2023 CNH Industrial America LLC. All rights reserved. CASE, CNH Industrial Capital and CNH Industrial Trademarks are registered in the United States and many other countries, owned by or licensed to CNH Industrial N.V., its subsidiaries or affiliates. Printed in U.S.A. Contains 10% post-consumer fiber.

Form No. CCE202304MiniEXC  
Replaces Form No. CCE201910MiniEXC

IMPORTANT: CASE Construction Equipment Inc. reserves the right to change these specifications without notice and without incurring any obligation relating to such change. Availability of some models and equipment builds vary according to the country in which the equipment is used. The illustrations and text may include optional equipment and accessories and may not include all standard equipment. Your CASE dealer/distributor will be able to give you details of the products and their specifications available in your area.



CASE Construction Equipment is biodiesel-friendly.

NOTE: All engines meet current EPA emissions regulations. All specifications are stated in accordance with SAE Standards or Recommended Practices, where applicable.



Always read the Operator's Manual before operating equipment. Inspect equipment before using it, and be sure it is operating properly. Follow the product safety signs and use any safety features provided.